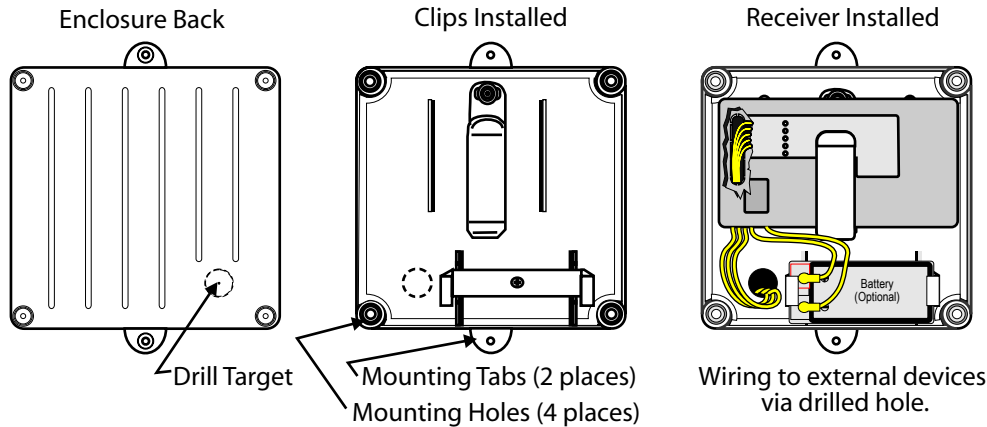


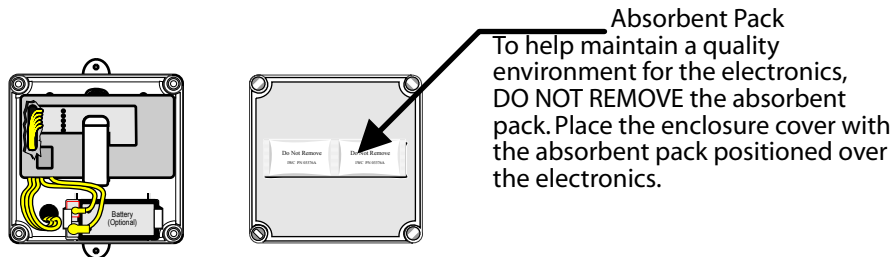
Product Description: The ACC640 Enclosure allows most Inovonics receivers and indoor repeaters to be mounted in an outdoor enclosure. The enclosure also accommodates an optional backup battery.


Installation

- 1) The enclosure can be mounted with screws inserted in the mounting holes or tabs.
- 2) Flex the receiver clip slightly to insert the receiver / repeater.
- 3) Flex the battery clip slightly when inserting a battery.

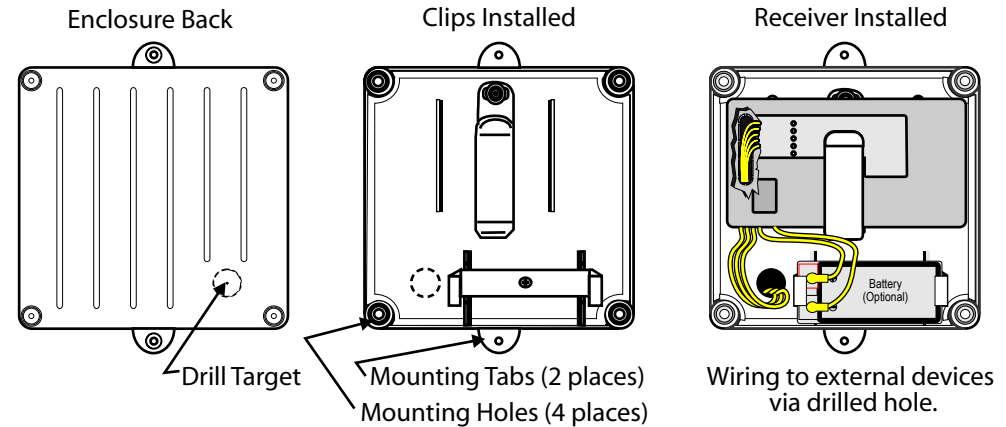
Wiring

- 1) Wiring into the receiver / repeater should be routed through the oval knockout in the receiver / repeater base.
- 2) Wiring from the ACC640 should be routed through a hole drilled at the Drill Target location.



Inovonics Technical Service—800.782.2709— 303.939.9336
www.inovonics.com

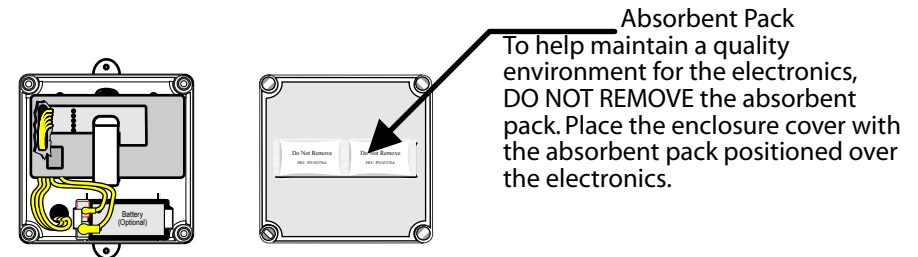
Product Description: The ACC640 Enclosure allows most Inovonics receivers and indoor repeaters to be mounted in an outdoor enclosure. The enclosure also accommodates an optional backup battery.


Installation

- 1) The enclosure can be mounted with screws inserted in the mounting holes or tabs.
- 2) Flex the receiver clip slightly to insert the receiver / repeater.
- 3) Flex the battery clip slightly when inserting a battery.

Wiring

- 1) Wiring into the receiver / repeater should be routed through the oval knockout in the receiver / repeater base.
- 2) Wiring from the ACC640 should be routed through a hole drilled at the Drill Target location.



Inovonics Technical Service—800.782.2709— 303.939.9336
www.inovonics.com