

The security only serial receiver is a wireless gateway between EchoStream one-way security transmitters and a head end application using an RS-232 serial interface.

Product Features

Transmits EchoStream formatted messages to the head end application

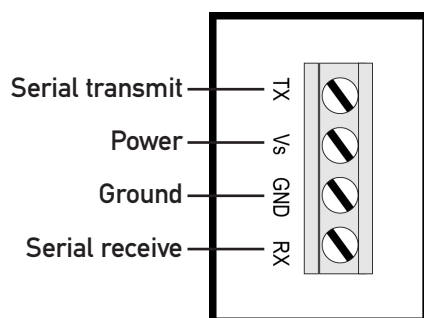
Supervises connection between the receiver and application

Serial integration enables hundreds to thousands of wireless devices

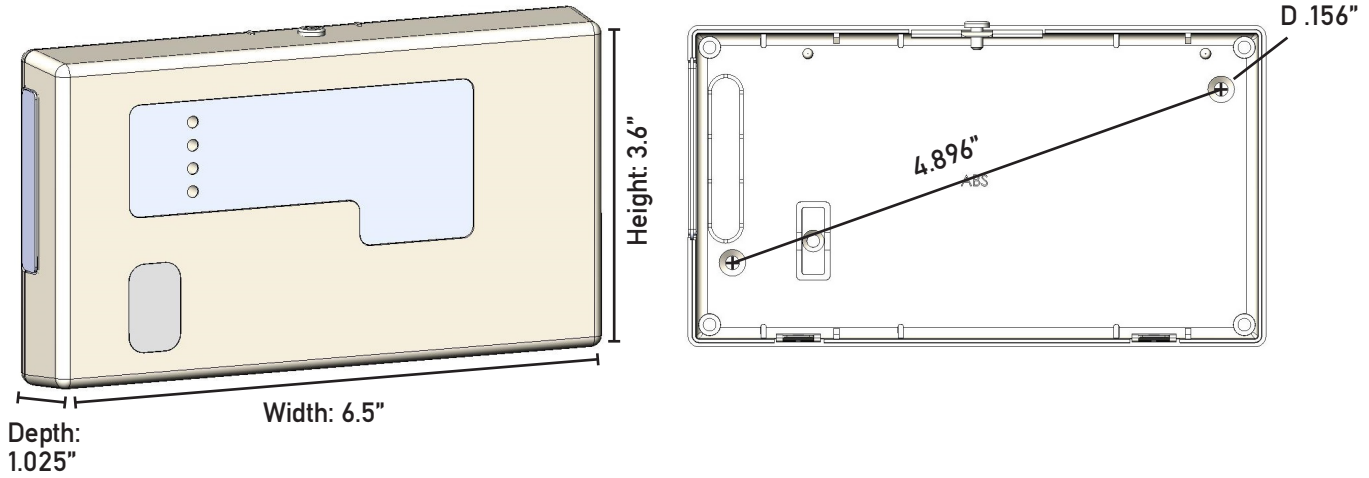
Product Specifications

| | |
|------------------------|-------------------------------------------------------------------------------------------------------------------------|
| Weight: | 4.7 oz (133 g) |
| Power requirement: | 10 - 13.5 VDC; 100 mA |
| Operating environment: | |
| Temperature: | 32° - 140°F |
| Humidity: | Up to 90% (non-condensing) |
| Market: | North America, Australia, New Zealand |
| EchoStream® frequency: | 902-928 MHz, frequency hopping spread spectrum |
| Regulatory compliance: | FCC, Industry Canada, RoHS, AS/NZS 4268:2008, UL 365, UL 636, UL 985, UL 1023, ULC/ORD-C1023-74, UL 1610, UL 1076, cUL. |

Inputs



Dimensions



Reference Materials (available at www.inovonics.com)

[EN4200 Security Only Serial Receiver Installation Instructions](#)

[EchoStream Developer Guide](#)

[Inovonics Product Catalog: North America](#)

- The range and performance of any wireless product depends on the structure and environment in which it operates.
- Continual enhancements to our products may cause specifications to change without notice.
- Patents: 7,154,866; 7,554,932; 7,746,804; others pending.

Technical documents

For technical documents visit us at <http://www.inovonics.com/support/tech-documents/> or use the QR code below.

