

**EN1216 Dual Input Universal with Wall Tamper**


The Inovonics dual input universal with wall tamper is designed for use with any standard contact or sensor that provides a contact closure. The primary alarm input is selectable – normally open or closed – and the secondary alarm input is set to normally closed only. It is fully supervised and includes a wall tamper switch that notifies the system when the transmitter is removed from its mounted surface. The dual input universal is available in the following configurations:

**Product Features**

- Supports dual inputs
- Screw closure housing and wall tamper switch provides additional security
- Can be used with almost any standard NO/NC contact

**Product Specifications**

Dimensions:	4.1" x 1.8" x 0.9" (10.4 x 4.6 x 2.3 cm)
Weight:	3 oz. (85 g)
Typical battery life:	3-5 years
Internal battery type:	Panasonic CR123A
External contacts:	Input one can be normally open or normally closed; input two is always normally closed
External contact cabling requirements:	14-22 gauge wire, unshielded
Distance, external contact to transmitter:	10' (3 m) maximum
Operating environment:	
Temperature:	-4 to 140°F (-20 to 60°C)
Humidity:	Up to 90% (non-condensing)
Market:	North America, Australia, New Zealand
EchoStream® frequency:	902-928 MHz, frequency hopping spread spectrum
Check-in time frequency:	3 minutes
Regulatory compliance:	FCC, ISED, RCM, RoHS

## Reference Materials (available at [www.inovonics.com](http://www.inovonics.com))

[EN1216 Dual Input Universal with Wall Tamper Installation Instructions](#)

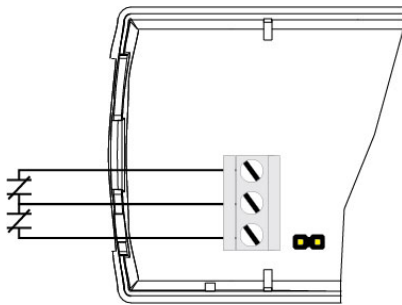
[EchoStream Developer Guide](#)

[EchoStream One-Way Security Developer Guide](#)

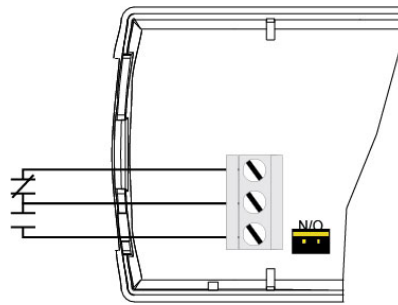
[Inovonics Product Catalog: North America](#)

- The range and performance of any wireless product depends on the structure and environment in which it operates.
- Continual enhancements to our products may cause specifications to change without notice.
- Patents: 7,154,866; 7,554,932; 7,746,804; others pending.
- Inovonics supports recycling and reuse whenever possible. Please recycle these parts using a certified electronics recycler.

## Inputs



Both inputs normally closed



Input one normally open

## Technical documents

For technical documents visit us at <http://www.inovonics.com/support/tech-documents/> or use the QR code below.

