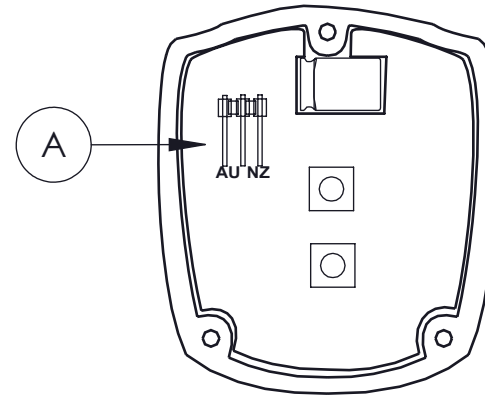
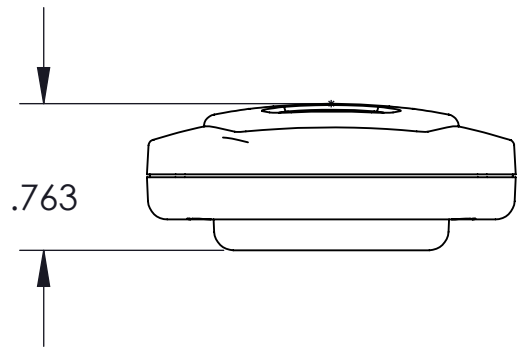
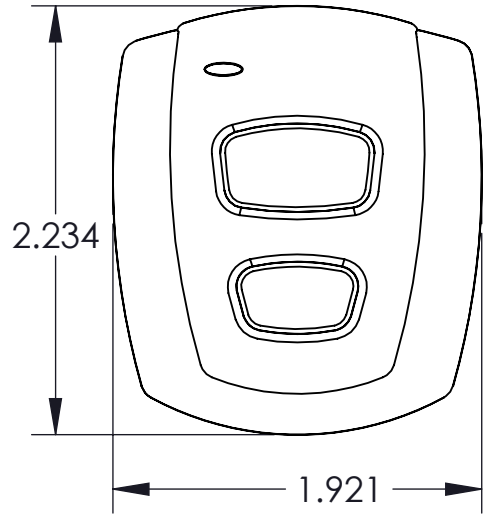



REVISIONS				
PART NO	REV.	DESCRIPTIONS	DATE	ECO
354-06930-01	A	Release For Production	2/4/2021	OMNIFY



A Frequency band selection pins

Copyright 2021 Inovonics Corp. All rights reserved. Drawings are the property of Inovonics Corp.		 WWW.INOVONICS.COM
CAD GENERATED DRAWING, DO NOT MANUALLY UPDATE OR SCALE DRAWING. UNLESS OTHERWISE SPECIFIED		
TOLERANCE:	XXX=+/- .005 XX=+/- .010	DESCRIPTION: DOC, DEALER DRAWING, EN1223D
AUTHOR:	NJ	PART NO: 354-06930-01
DRAWN DATE:	02/02/2021	SCALE: N/A SIZE: A SHEET 1 OF 1
		REV. A