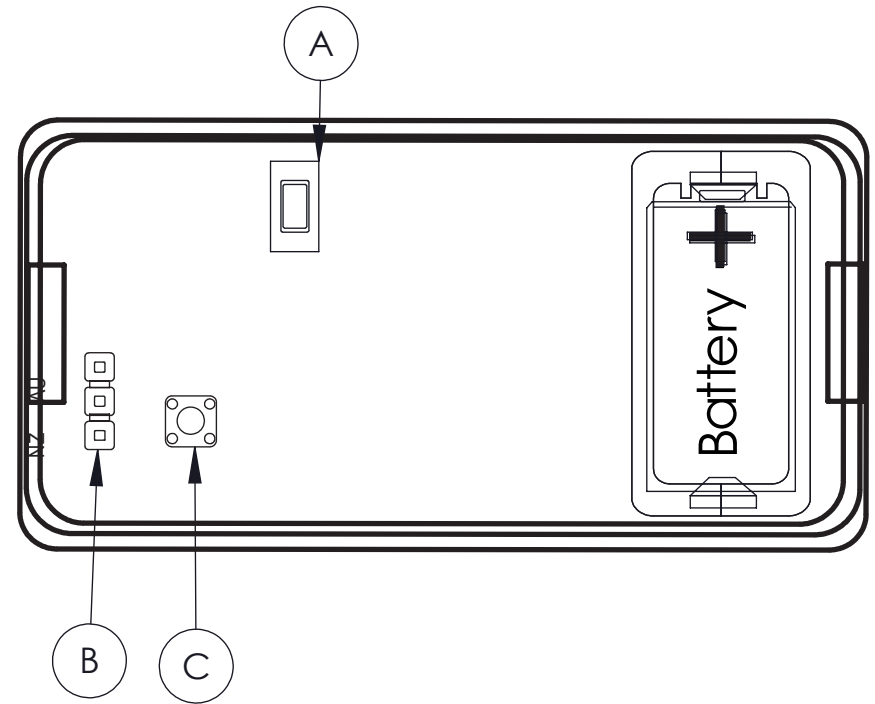
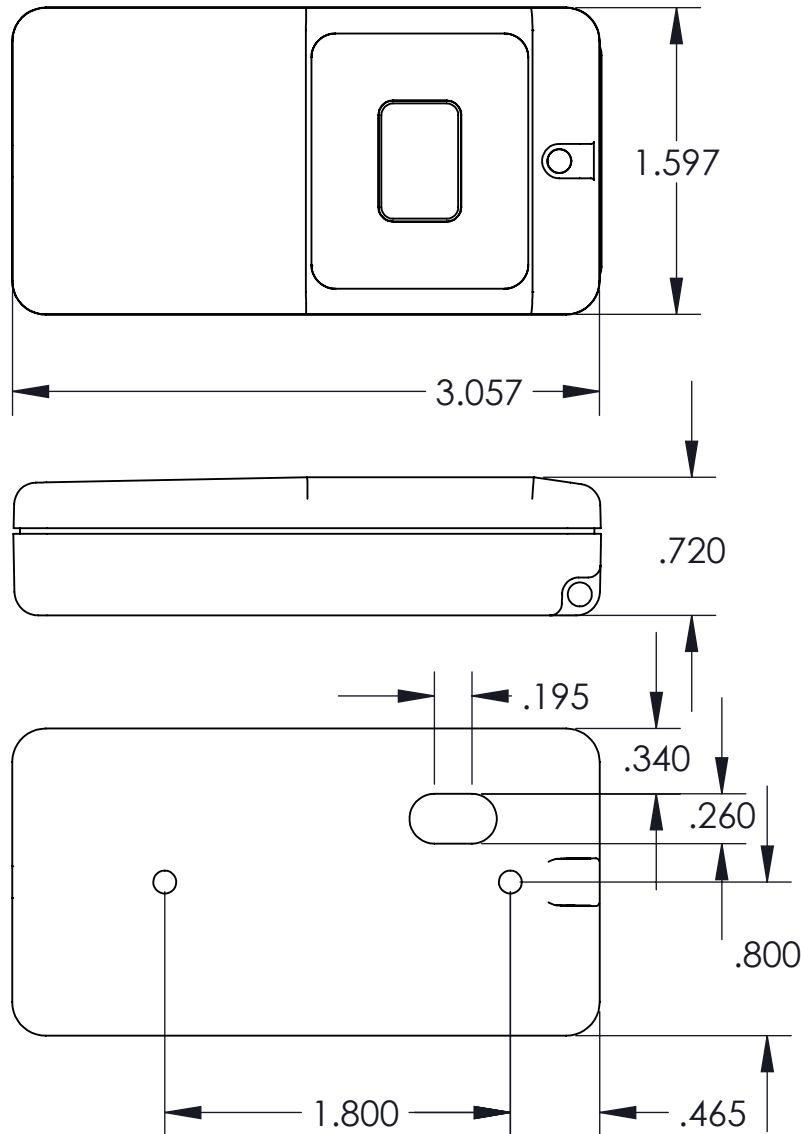



REVISIONS

Part No	REV.	DESCRIPTIONS	DATE	ECO
354-06937-01	A	Release For Production	11/20/2017	OMNIFY



- A** Reset button
- B** Freqeuncy band selection pins
- C** Tamper switch

Copyright 2021 Inovonics Corp. All rights reserved. Drawings are the property of Inovonics Corp.		 WWW.INOVONICS.COM	
CAD GENERATED DRAWING, DO NOT MANUALLY UPDATE OR SCALE DRAWING. UNLESS OTHERWISE SPECIFIED		DESCRIPTION: DEALER DRAWING-EN1235SF	
TOLERANCE: XXX=+/- .005 XX=+/- .010	AUTHOR: NJ	PART NO: 354-06937-01	REV. A
DRAWN DATE: 01/28/2021	SCALE: N/A	SIZE: A	SHEET 1 OF 1