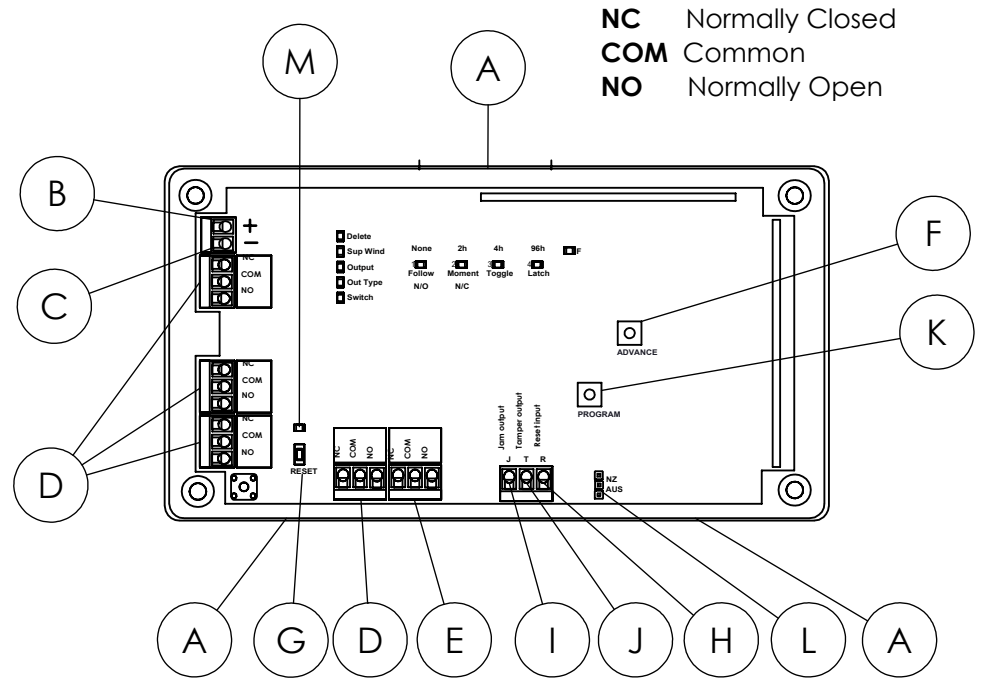
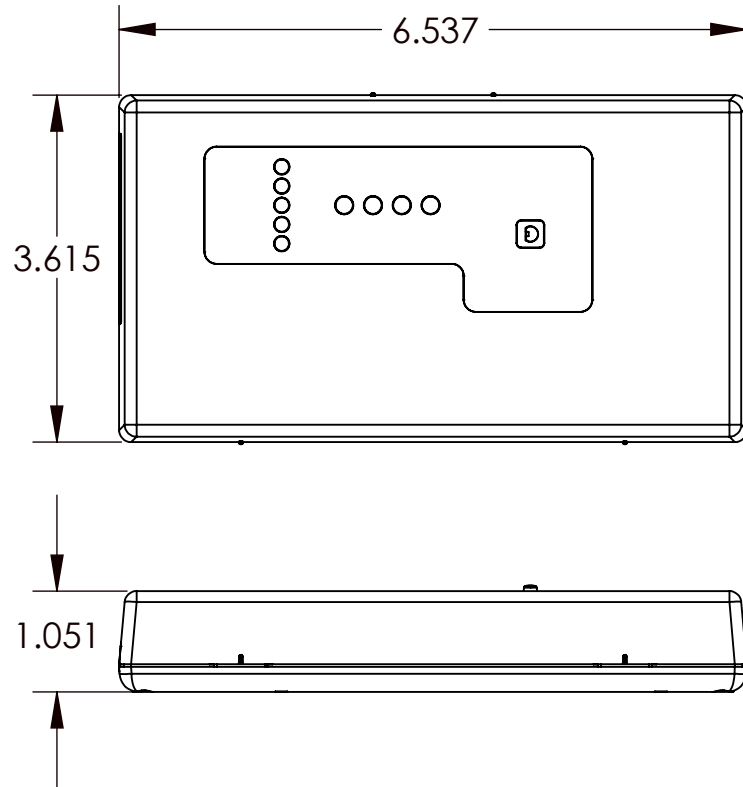


## REVISIONS

PART NO	REV	DESCRIPTION	DATE	ECO
354-06846-01	A	RELEASE FOR PRODUCTION	12/23/2019	OMNIFY



- |                               |                            |                                       |
|-------------------------------|----------------------------|---------------------------------------|
| <b>A</b> Housing release tabs | <b>B</b> Power (11-14 VDC) | <b>C</b> GND connection               |
| <b>D</b> Output terminals     | <b>E</b> Fault output      | <b>F</b> Advance button               |
| <b>G</b> Reset button         | <b>H</b> Reset input       | <b>I</b> Jam output                   |
| <b>J</b> Tamper output        | <b>K</b> Program button    | <b>L</b> Frequency bad selection pins |
| <b>M</b> Decode LED           |                            |                                       |

Copyright 2020 Inovonics Corp.  
All rights reserved. Drawings are the property of Inovonics Corp.



WWW.INOVONICS.COM

CAD GENERATED DRAWING,  
DO NOT MANUALLY UPDATE  
OR SCALE DRAWING.  
UNLESS OTHERWISE SPECIFIED

DESCRIPTION:

**DOC, DEALER DRAWING, EN4204R**

TOLERANCE: XXX=+/- .005  
XX=+/- .010

PART NO: <b>354-06846-01</b>	REV. <b>A</b>
------------------------------	---------------

AUTHOR: SL

DRAWN DATE: 12/23/2019

SCALE: N/A	SIZE: <b>A</b>	SHEET 1 OF 1
------------	----------------	--------------