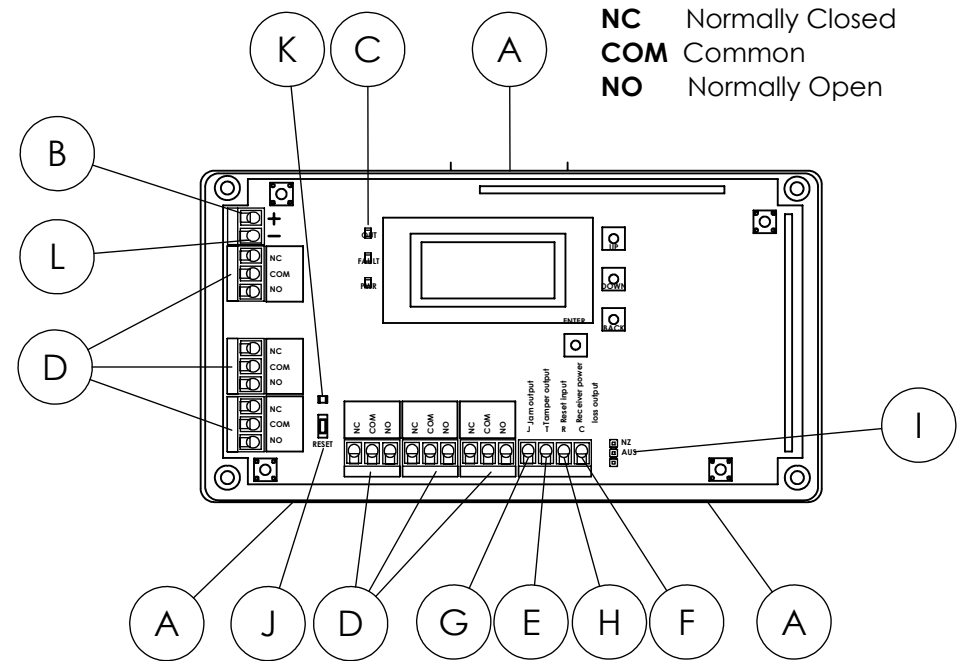
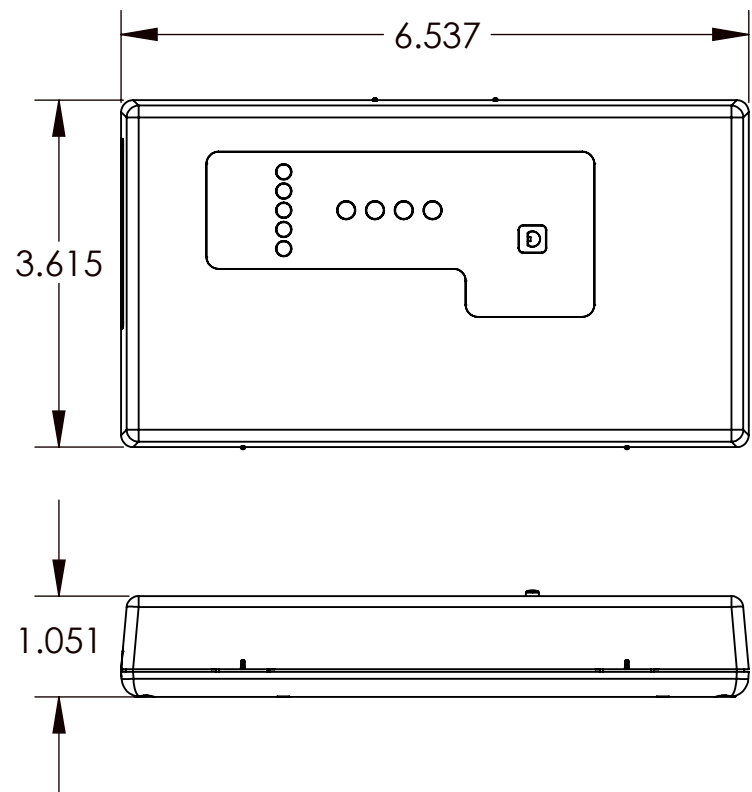



REVISIONS				
PART NO	REV	DESCRIPTION	DATE	ECO
354-06847-01	A	RELEASE FOR PRODUCTION	12/23/2019	OMNIFY



NC Normally Closed
COM Common
NO Normally Open

- A** Housing release tabs
- B** Power (11-14 VDC)
- C** Operation LEDs
- D** Output terminals
- E** Tamper output
- F** Receiver power loss output
- G** Jam Output
- H** Reset input
- I** Frequency band selection pins
- J** Reset button
- K** Decode LED
- L** Ground Connection

Copyright 2020 Inovonics Corp. All rights reserved. Drawings are the property of Inovonics Corp.		 WWW.INOVONICS.COM
CAD GENERATED DRAWING, DO NOT MANUALLY UPDATE OR SCALE DRAWING. UNLESS OTHERWISE SPECIFIED		
TOLERANCE:	XXX=+/- .005 XX=+/- .010	DESCRIPTION: DEALER DRAWING, EN4216MR
AUTHOR:	SL	PART NO: 354-06847-01
DRAWN DATE:	12/23/2019	SCALE: N/A SIZE: A SHEET 1 OF 1
		REV. A