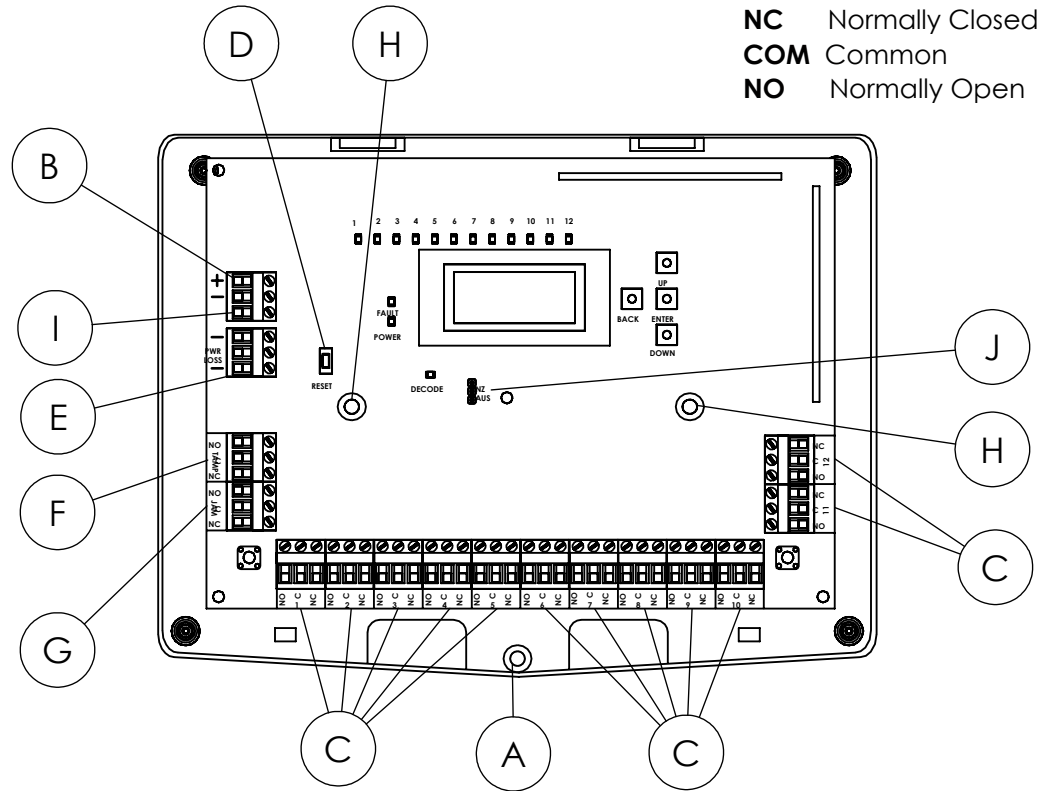
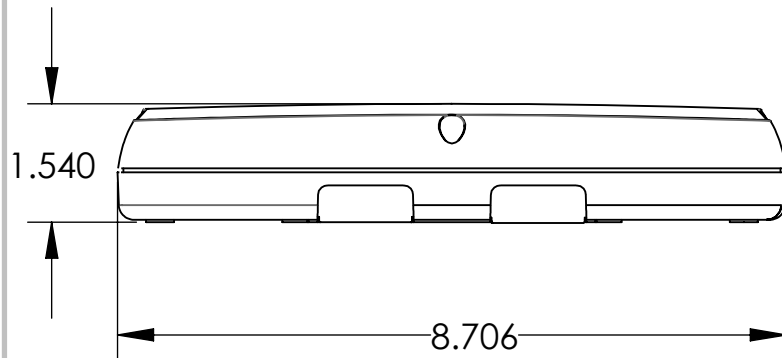
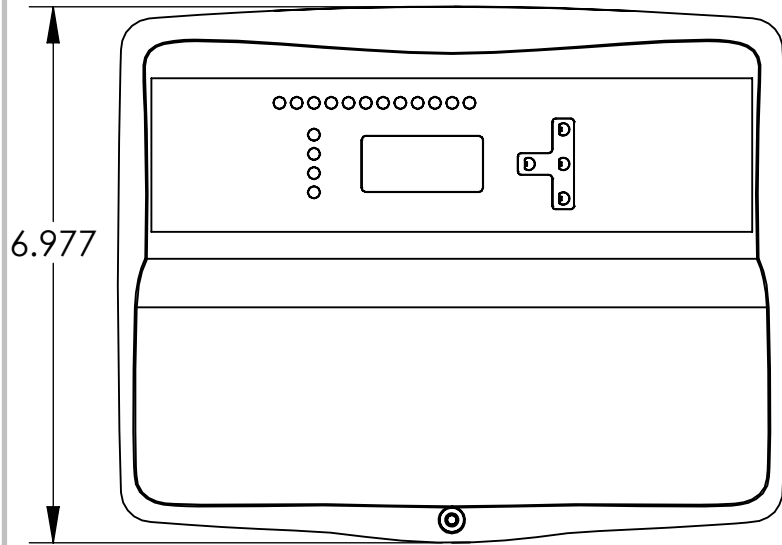



REVISIONS				
PART NO	REV	DESCRIPTION	DATE	ECO
354-06848-01	A	RELEASE FOR PRODUCTION	1/15/20	OMNIFY



**NC** Normally Closed  
**COM** Common  
**NO** Normally Open

- A** Housing release screw
- B** Power (11-14 VDC)
- C** Output terminals
- D** Reset button
- E** Power loss output
- F** Tamper output
- G** Jam output
- H** Mounting holes
- I** Reset input
- J** Frequency band selection pins

Copyright 2020 Inovonics Corp. All rights reserved. Drawings are the property of Inovonics Corp.		 <b>inovonics</b> WWW.INOVONICS.COM
CAD GENERATED DRAWING, DO NOT MANUALLY UPDATE OR SCALE DRAWING. UNLESS OTHERWISE SPECIFIED		
TOLERANCE:	XXX=+/- .005 XX=+/- .010	DESCRIPTION: <b>DEALER DRAWING, EN4232MR</b>
AUTHOR:	GH	PART NO: <b>354-06848-01</b>
DRAWN DATE:	1/15/2020	SCALE: N/A    SIZE: <b>A</b> SHEET 1 OF 1