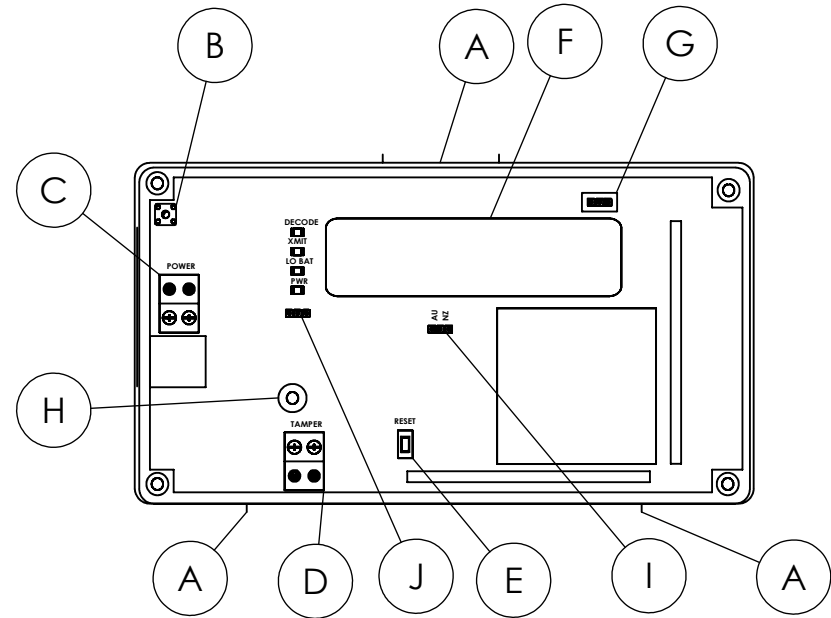
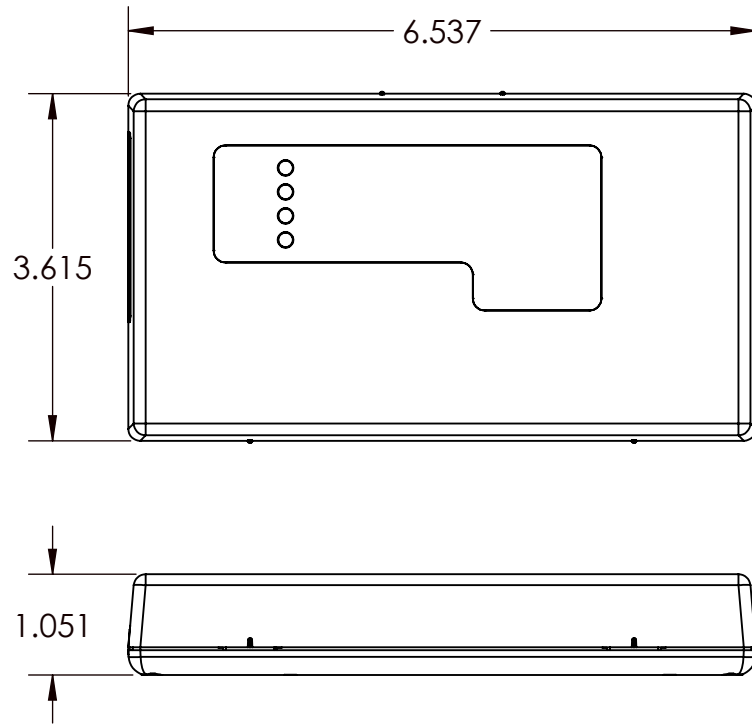


REVISIONS				
PART NO	REV	DESCRIPTION	DATE	ECO
354-06881-01	A	RELEASE FOR PRODUCTION	1/15/20	OMNIFY



- | | | |
|-------------------------------|-------------------------------|--|
| A Housing release tabs | E Reset button | I Frequency band selection pins |
| B Tamper button spring | F Backup battery | J Messaging mode selection pins |
| C Power | G Battery connector | |
| D Tamper input | H Tamper mounting hole | |

Copyright 2020 Inovonics Corp.
All rights reserved. Drawings are the property of Inovonics Corp.



CAD GENERATED DRAWING,
DO NOT MANUALLY UPDATE
OR SCALE DRAWING.
UNLESS OTHERWISE SPECIFIED

DESCRIPTION:

Dealer Drawing, EN5040-T

TOLERANCE: XXX=+/- .005
XX=+/- .010

PART NO: **354-06881-01**

REV.
A

AUTHOR: GH

DRAWN DATE: 12/27/2019

SCALE: N/A

SIZE: **A**

SHEET 1 OF 1