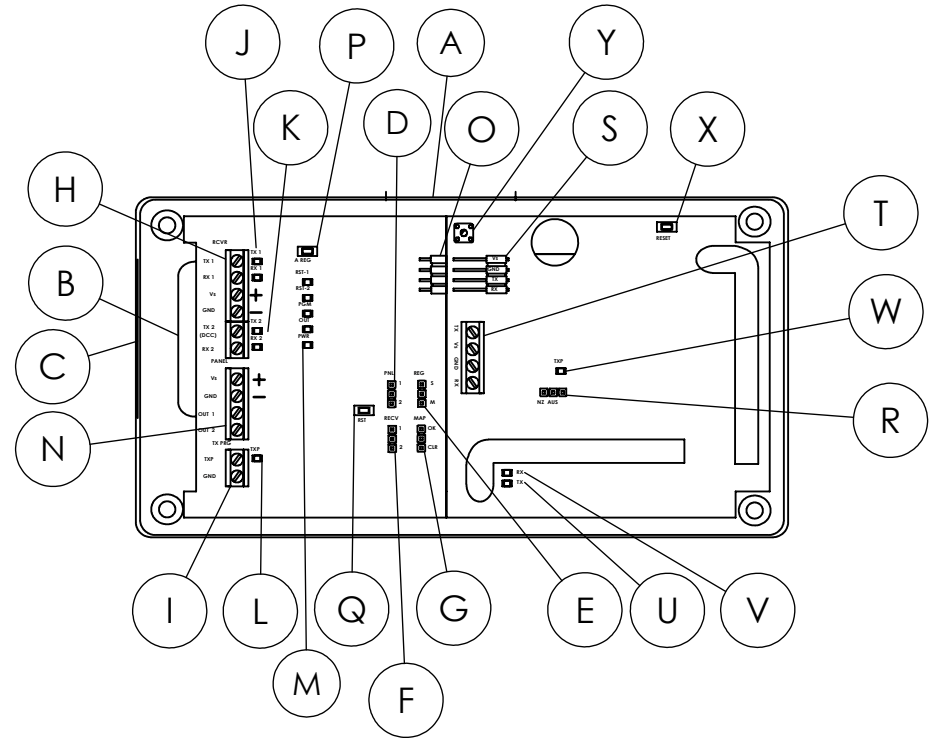
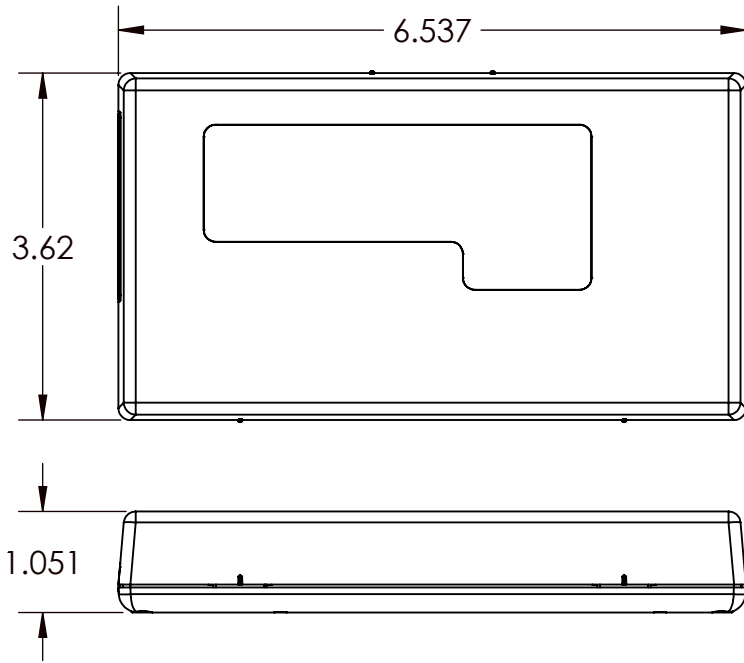



REVISIONS				
PART NO	REV	DESCRIPTION	DATE	ECO
354-06876-01	A	RELEASE FOR PRODUCTION	1/15/20	OMNIFY



- |   |   |   |  |
|---|---|---|--|
| <b>A</b> Housing release tab            | <b>G</b> Map selection pins                     | <b>K</b> Receiver 2 transmit/receive LEDs | <b>P</b> Automatic registration button |
| <b>B</b> Bottom cabling knockout        | <b>H</b> Translator data terminal block         | <b>L</b> Transmitter programming LED      | <b>Q</b> Reset button                  |
| <b>C</b> Side cabling knockout          | <b>I</b> Transmitter programming terminal block | <b>M</b> Operation LEDs                   | <b>R</b> Frequency band selection pins |
| <b>D</b> Panel interface selection pins | <b>J</b> Receiver 1 transmit/receive LEDs       | <b>N</b> Panel interface terminal block   | <b>S</b> Serial data port              |
| <b>E</b> Registration selection pins    | <b>K</b> Receiver 2 transmit/receive LEDs       | <b>O</b> Translator serial data port      | <b>T</b> Serial data terminal          |
| <b>F</b> Receiver selection pins        | <b>L</b> Transmitter programming LED            | <b>P</b> Automatic registration button    | <b>U</b> Transmit LED                  |
| <b>V</b> Receive LED                    | <b>M</b> Operation LEDs                         | <b>Q</b> Reset button                     |  |
| <b>W</b> Decode LED                     | <b>N</b> Panel interface terminal block         | <b>R</b> Frequency band selection pins    |  |
| <b>X</b> Reset button                   | <b>O</b> Translator serial data port            | <b>S</b> Serial data port                 |  |
| <b>Y</b> Tamper button spring           | <b>P</b> Automatic registration button          | <b>T</b> Serial data terminal             |  |

Copyright 2020 Inovonics Corp. All rights reserved. Drawings are the property of Inovonics Corp.		 WWW.INOVONICS.COM	
CAD GENERATED DRAWING, DO NOT MANUALLY UPDATE OR SCALE DRAWING. UNLESS OTHERWISE SPECIFIED			
TOLERANCE:	XXX=+/- .005 XX=+/- .010	PART NO: <b>354-06876-01</b>	REV. <b>A</b>
AUTHOR:	GH	SCALE: N/A	SIZE: <b>A</b>
DRAWN DATE:	12/27/2019	SHEET 1 OF 1	