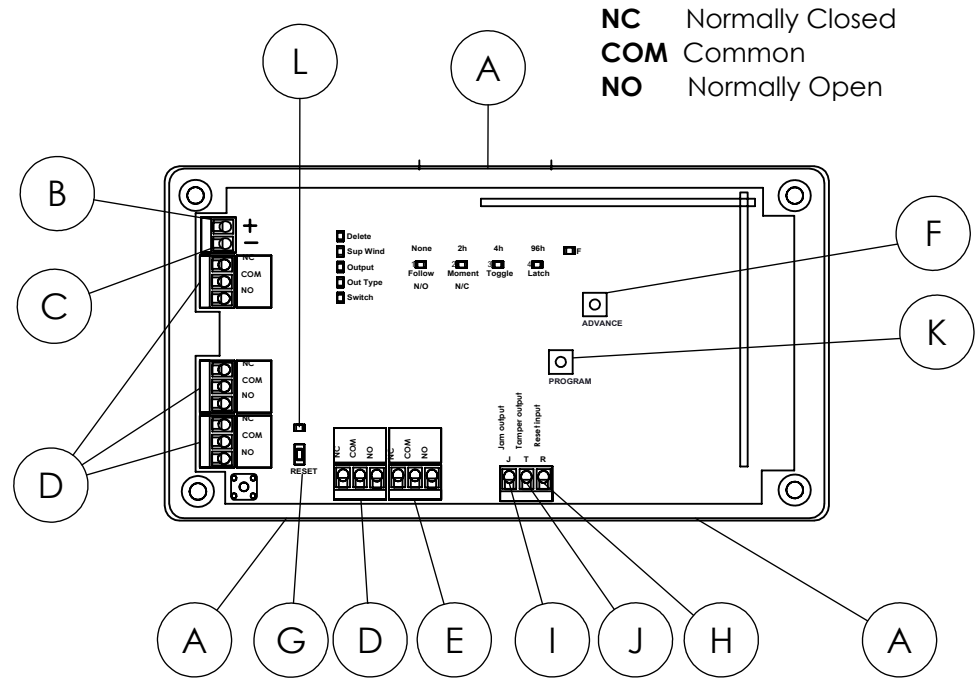
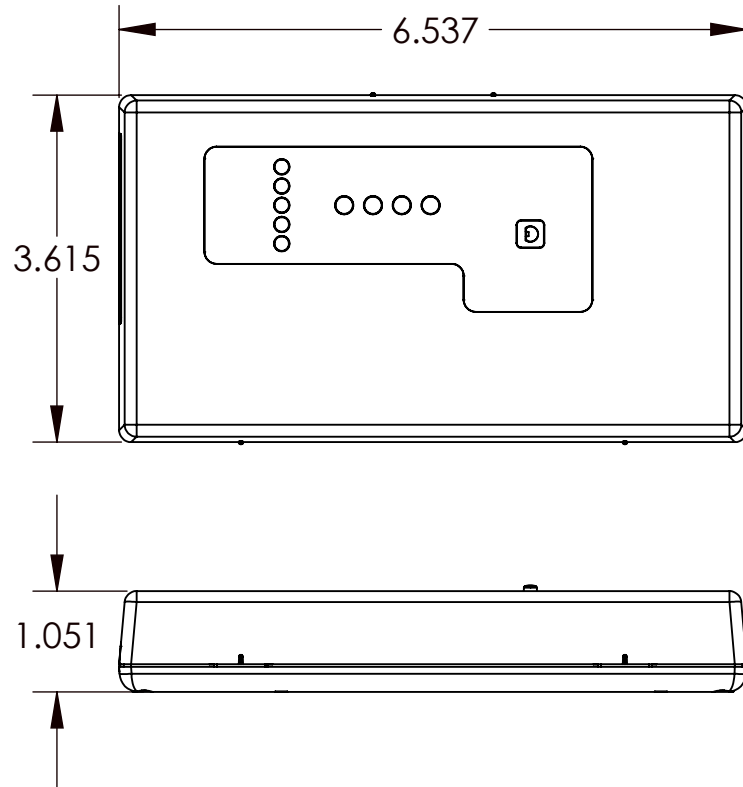


REVISIONS

PART NO	REV	DESCRIPTION	DATE	ECO
354-06846-01	B	DESIGN UPDATE	07/19/23	EMPOWER



NC Normally Closed
COM Common
NO Normally Open

- | | | |
|-------------------------------|----------------------------|-------------------------|
| A Housing release tabs | B Power (11-14 VDC) | C GND connection |
| D Output terminals | E Fault output | F Advance button |
| G Reset button | H Reset input | I Jam output |
| J Tamper output | K Program button | L Decode LED |

Copyright 2020 Inovonics Corp.
All rights reserved. Drawings are the property of Inovonics Corp.



CAD GENERATED DRAWING,
DO NOT MANUALLY UPDATE
OR SCALE DRAWING.
UNLESS OTHERWISE SPECIFIED

DESCRIPTION:

DOC, DEALER DRAWING, EN4204R

TOLERANCE: XXX=+/- .005
XX=+/- .010

PART NO: **354-06846-01**

REV.
B

AUTHOR: SL

DRAWN DATE: 07/19/23

SCALE: N/A

SIZE: **A**

SHEET 1 OF 1