



The Inovonics EN1752 temperature detector easily adds temperature monitoring into an Inovonics system with no third-party hardware integration. The EN1752 temperature detector is preconfigured with high and low set points of 80°F and 40°F. Users can customize the EN1752 temperature detector to monitor temperature in a variety of applications including server rooms, storage areas, refrigerators, freezers, and pipes for pre-freeze warnings.

Product Features

80°F high threshold for server rooms monitoring; 40°F low threshold for pre-freeze warning

Programmable thresholds with the ACC17XX programming cable and transmitter programmer app (supports Windows 10 and higher)

Compatible with Honeywell T280R probe for external monitoring applications

Product Specifications

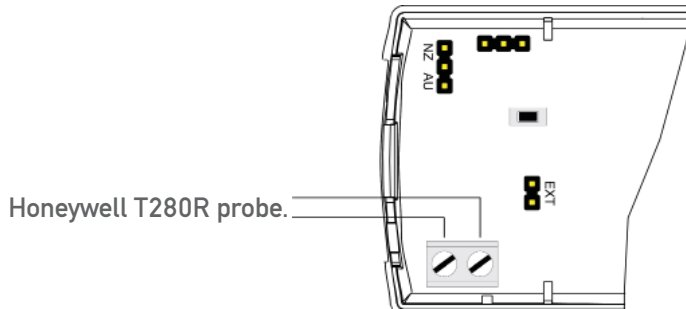
Weight:	1.9 oz.
Typical battery life:	8 years at a 5 minute transmission interval
Internal battery type:	Panasonic CR123A
Operating environment:	
Temperature:	-4 to 140°F
Humidity:	Up to 90% (non-condensing)
Market:	North America, Australia, New Zealand
EchoStream® frequency:	902-928 MHz, frequency hopping spread spectrum
Check-in time frequency:	Programmable with a 3 minute preset
Regulatory compliance:	FCC, RoHS

Mounting plate

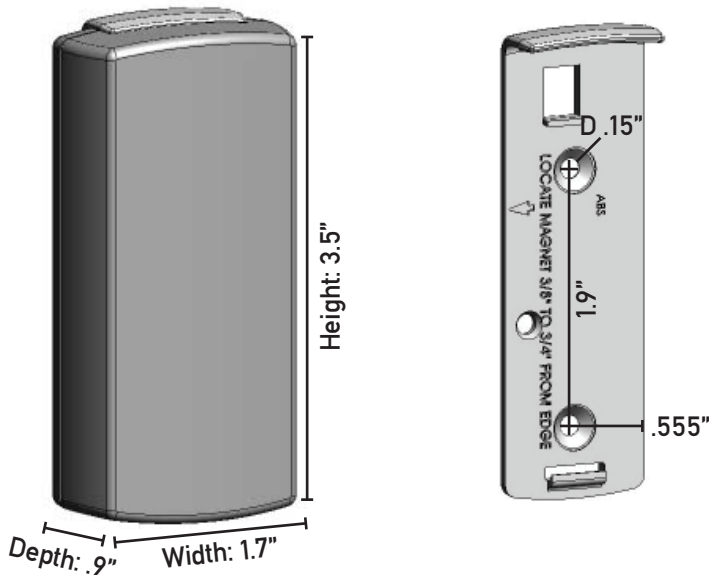


The transmitter mounting plate hinges to the transmitter. Just mount the plate and snap the transmitter in place.

Inputs



Dimensions



Reference Materials

EN1752 Temperature Detector Installation Instructions

EchoStream Developer Guide

Inovonics Product Catalog: North America

- The range and performance of any wireless product depends on the structure and environment in which it operates.
- Continual enhancements to our products may cause specifications to change without notice.
- Patents: 7,154,866; 7,554,932; 7,746,804; others pending.

Technical documents

For technical documents visit us at <http://www.inovonics.com/support/tech-documents/> or use the QR code below.

