



The EE4080 IP gateway combines the functionality of an Inovonics EE4000 receiver with the flexibility of an IP appliance. With a message queuing telemetry transport (MQTT) license, the IP gateway outputs messages in the MQTT protocol. MQTT is an ISO standard (ISO/IEC PRF 20922) publish-subscribe-based Internet of Things messaging protocol adopted by Amazon Web Services.

### Product Features

Combines EE4000 receiver and IP gateway functionality into a single product

Optional Power over Ethernet (PoE) feature

Supports over-the-air updates

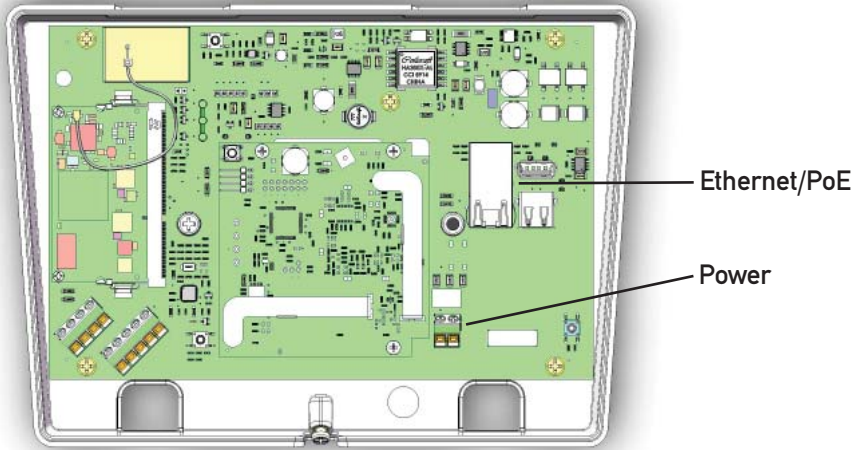
Compatible with all Inovonics EchoStream one-way transmitters

External LEDs indicate power, IP connectivity and message receipt

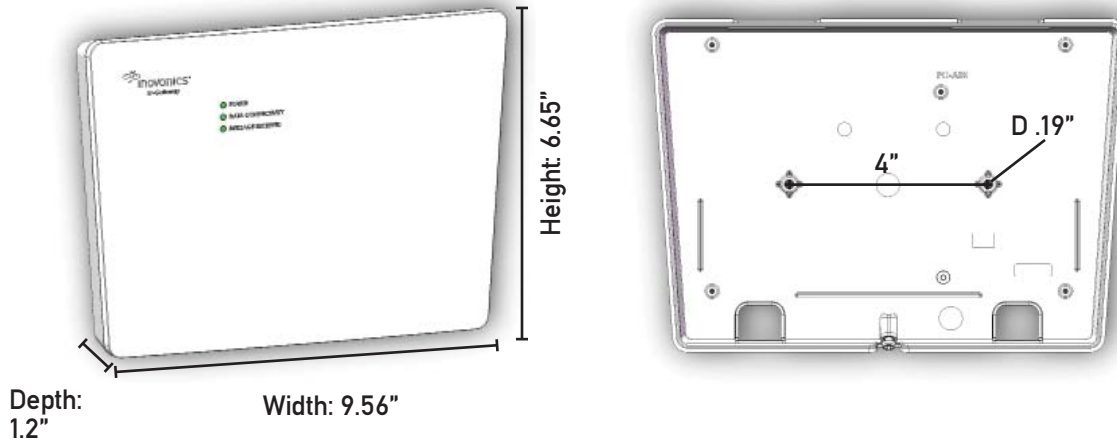
### TapWatch Gateway Specifications

Weight:	1 lb. 3.54 oz
Power requirement:	Line power: A 12-14V AC intrinsically safe power supply capable of supplying at least 20VA, or a 12-15V DC power supply capable of supplying at least 20VA; POE: IEEE 802.3af-2003 compliant
Router requirements:	The router must assign addresses via DHCP; the DHCP lease of the router must be set to a non-zero and non-infinite value, and should be set to a value greater than 30 seconds; The router must allow outbound connections on the following ports: DNS (53), HTTPS (443), NTP (123)
Connectivity:	10/100/1000BASE-T, DHCP
Transmitters supported:	2000
Storage capacity:	Equivalent to messages for up to 1000 transmitters at 60-minute intervals
Operating environment:	
Temperature:	32° - 140°F
Humidity:	Up to 90% (non-condensing)
Market:	Europe
EchoStream® frequency:	868-869 MHz
Regulatory compliance:	CE

## Inputs



## Dimensions



## Reference Materials (available at [www.inovonics.com](http://www.inovonics.com))

EE4080 IP Gateway Installation Instructions

E\*4080 IP Gateway Amazon Web Services MQTT Quick Start Tech Note

Inovonics Product Catalog: Europe

## Technical documents

For technical documents visit us at <http://www.inovonics.com/support/tech-documents/> or use the QR code below.

- The range and performance of any wireless product depends on the structure and environment in which it operates.
- Continual enhancements to our products may cause specifications to change without notice.
- Patents: 7,154,866; 7,554,932; 7,746,804; others pending.

