

# **NEW PRODUCT: EN1243 SMOKE/HEAT DETECTOR TRANSMITTER**

Channel Training

July, 2015



- Inovonics replacing EN1242 with new EN1243
- Expected availability Mid-July
- Addition of fixed, and rate of rise (ROR) heat detection
  - CleanMe/Low Battery clarification
- California State Fire Marshall changes

# Product Positioning

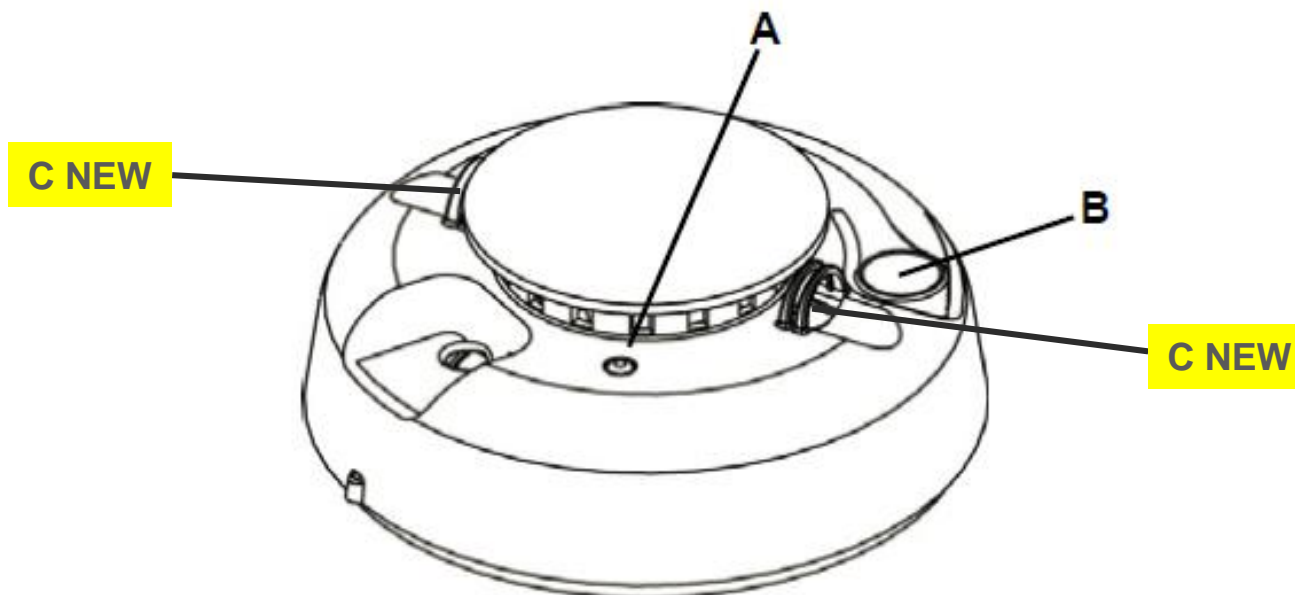
- **To whom:**  
Those responsible for safeguarding people and property
- **For what:**  
Wireless smoke/heat detection
- **Why ours:**  
Easily integrates into supervised systems (e-call & intrusion)
- **As a result:**  
Optimal solution for new construction and retrofits

# Functionality

Feature	EN1243	EN1242
Heat: Fixed	135°F +/- 5°F (57.2°C +/- 2.8°C)	None
Heat: ROR	15°F/min > 105°F (8.3°C/min > 40.6°C)	None
Smoke detection	0.14 ± 0.04 dB/m	
Range & reliability	Commercial-grade (Echostream)	
Monitoring	Sensors & Operational status	
Tamper	Protection against removal	
Other alarms	Local test and silence alarm Low Battery (@2.7V) Maintenance	
Regulatory compliance	FCC, RoHS, C-TICK, UL 217 (Residential Fire)	

# EN1242 vs EN1243: External

## 1.2 EN1243 External Components



**Figure 1** EN1243 external components

**A** LED

**B** Test/silence button

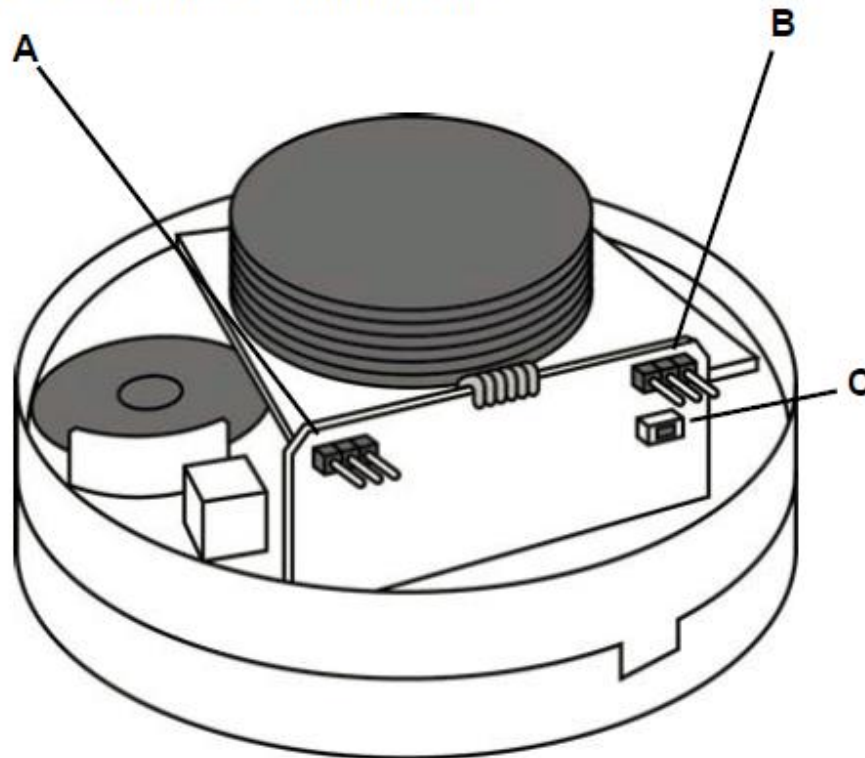
**C** NEW

- Heat - fixed: 135°F +/- 5°F (57.2°C +/- 2.8°C)
- Heat - ROR: 15°F/min > 105°F (8.3°C/min > 40.6°C)

# EN1242 vs EN1243: Internal

No change

## 1.3 EN1243 Internal Components



**Figure 2** EN1243 internal components

**A** Low battery/CleanMe selection pins

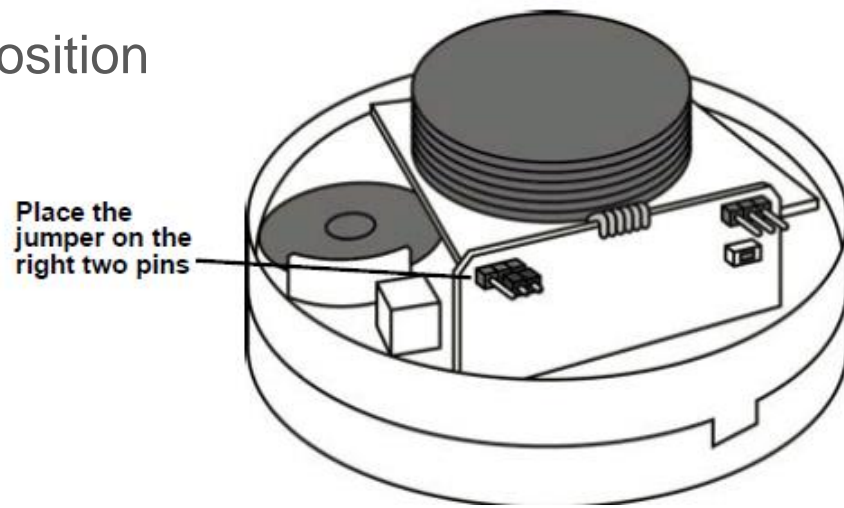
**B** Frequency band selection pins

**C** Reset button

# Clean Me/Low Battery

## CleanMe/Low Battery Clarification (EN1242 & EN1243)

- Factory setting - jumper on the low battery/CleanMe selection pins installed at the Low Bat position
- For multiple indication - enable wireless reporting of the CleanMe status.
  - Move jumper to Clean position
  - Press reset



# CSFM Certification

- Effective July 1, 2015, the EN1242 will no longer be California State Fire Marshall certified. Similarly, the EN1243 will also not be CSFM certified.
- Both the EN1242 and EN1243 are intended for use as supplemental residential alarms and UL listed to provide localized functional annunciation. They are not intended for fire panel integration.
- For details please refer to [CSFM Information Bulletin 14-006](#). Any EN1242s which you have in inventory prior to July 1, 2015 are exempt from the new regulations (see [California Health and Safety Code Section 13114](#)).



Insert included in each EN1242 & EN1243 package starting 6/19 through September

## **Warning**

The EN1242 and EN1243 are not CSFM approved smoke alarms, per California Health and Safety Code Section 13114 (State Fire Marshal Information Bulletin 14-007).

# Questions/Feedback



## Scott Fincher

Senior Product Manager  
direct: 303.209.7122  
mobile: 303.884.0566  
sfincher@inovonics.com



397 S. Taylor Ave.  
Louisville, CO 80027  
800.782.2709 ext. 7122  
fax: 303.209.7243

