



The EN4080 IP gateway combines the functionality of an Inovonics EN4000 receiver with the flexibility of an IP appliance. With a message queuing telemetry transport (MQTT) license, the IP gateway outputs messages in the MQTT protocol. MQTT is an ISO standard (ISO/IEC PRF 20922) publish-subscribe-based Internet of Things messaging protocol adopted by Amazon Web Services.

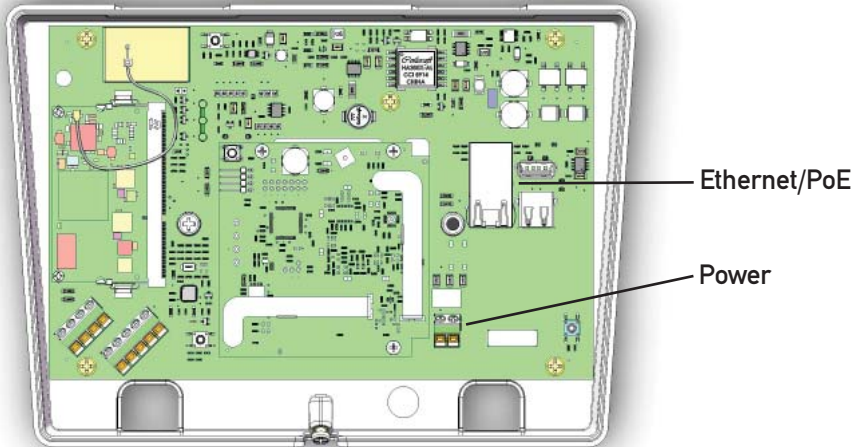
Product Features

- Combines EN4000 receiver and third party IP gateway functionality into a single product
- Optional Power over Ethernet (PoE) feature
- Supports over-the-air updates
- Compatible with all Inovonics EchoStream one-way transmitters
- External LEDs indicate power, IP connectivity and message receipt

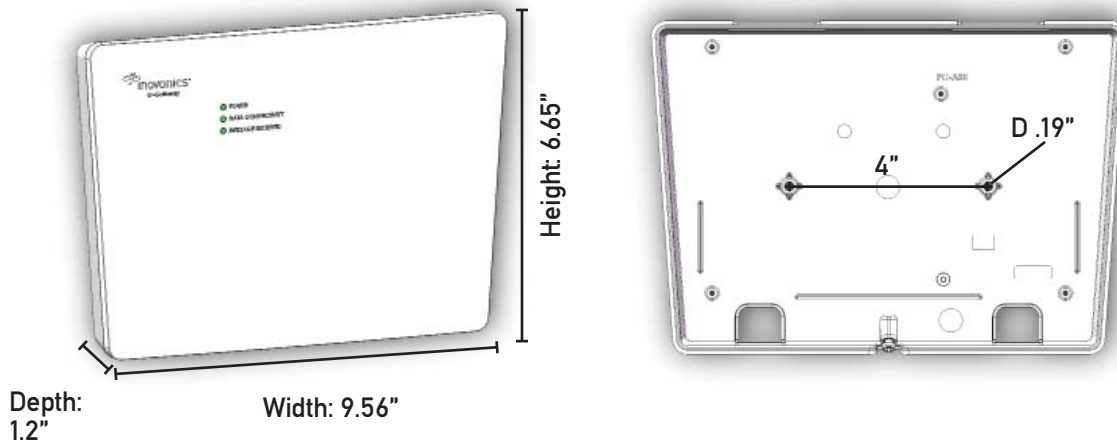
TapWatch Gateway Specifications

| | |
|-------------------------|---|
| Weight: | 1 lb. 3.54 oz |
| Power requirement: | Line power: The Inovonics ACC610 transformer, or a 12-14V AC intrinsically safe power supply capable of supplying at least 20VA, or a 12-15V DC power supply capable of supplying at least 20VA; POE: IEEE 802.3af-2003 compliant |
| Router requirements: | The router must assign addresses via DHCP; the DHCP lease of the router must be set to a non-zero and non-infinite value, and should be set to a value greater than 30 seconds; The router must allow outbound connections on the following ports: DNS (53), HTTPS (443), NTP (123) |
| Connectivity: | 10/100/1000BASE-T, DHCP |
| Transmitters supported: | 2000 |
| Storage capacity: | Equivalent to messages for up to 1000 transmitters at 60-minute intervals |
| Operating environment: | |
| Temperature: | 32° - 140°F |
| Humidity: | Up to 90% (non-condensing) |
| Market: | North America, Australia, New Zealand, Japan |
| EchoStream® frequency: | 902-928 MHz, frequency hopping spread spectrum |
| Regulatory compliance: | FCC part 15 class B, ISSED, RCM |

Inputs



Dimensions



Reference Materials (available at www.inovonics.com)

EN4080 IP Gateway Installation Instructions

E*4080 IP Gateway Amazon Web Services MQTT Quick Start Tech Note

Inovonics Product Catalog: North America

Technical documents

For technical documents visit us at <http://www.inovonics.com/support/tech-documents/> or use the QR code below.

- The range and performance of any wireless product depends on the structure and environment in which it operates.
- Continual enhancements to our products may cause specifications to change without notice.
- Patents: 7,154,866; 7,554,932; 7,746,804; others pending.

