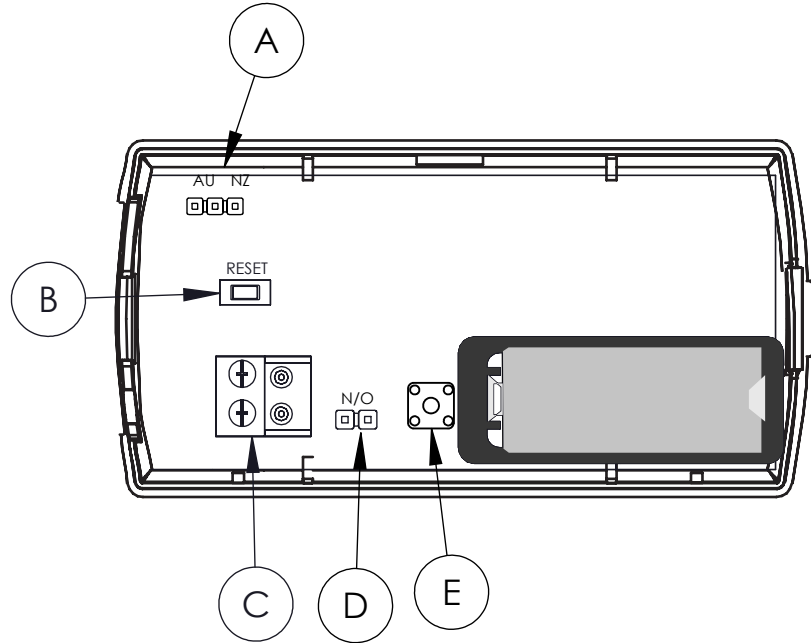
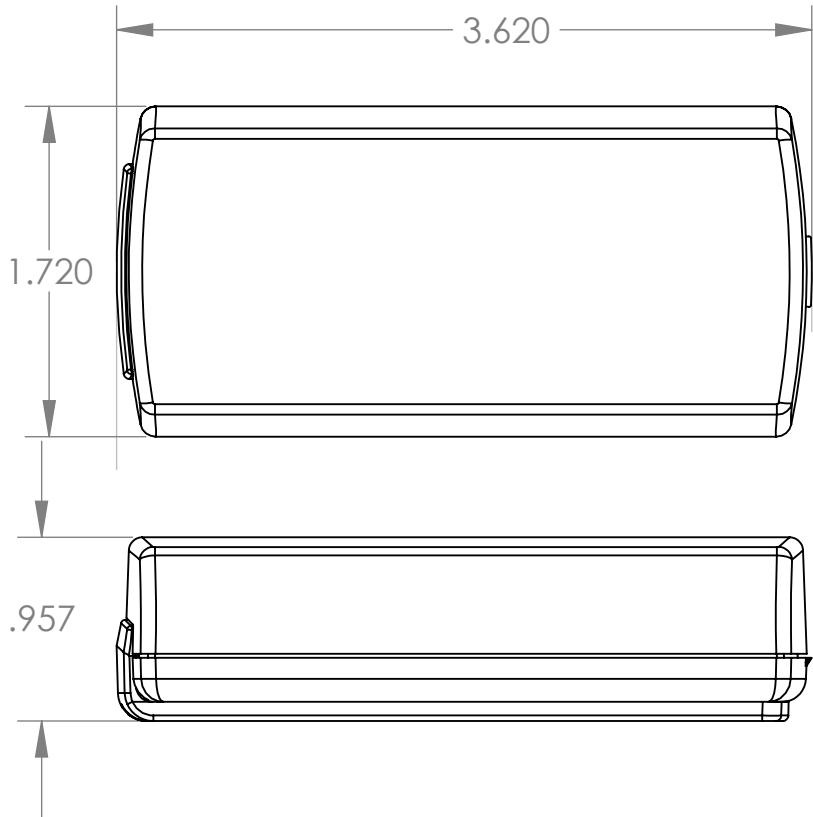



REVISIONS			
REV.	DESCRIPTIONS	DATE	ECO
1	Release For Production	11/20/2017	



- A** Frequency band selection pins
- B** Reset button
- C** Input terminal
- D** N/O - N/C Selection pins
- E** Tamper button and spring

Copyright 2017 Inovonics Corp. All rights reserved. Drawings are the property of Inovonics Corp.		 WWW.INOVONICS.COM	
CAD GENERATED DRAWING, DO NOT MANUALLY UPDATE OR SCALE DRAWING. UNLESS OTHERWISE SPECIFIED			
TOLERANCE:	XXX=+/- .005 XX=+/- .010	DESCRIPTION: DEALER DRAWING_EN1210	
AUTHOR:	NJ	PART NO: 06918	REV. A
DRAWN DATE:	11/20/2017	SCALE: N/A	SIZE: A SHEET 1 OF 1