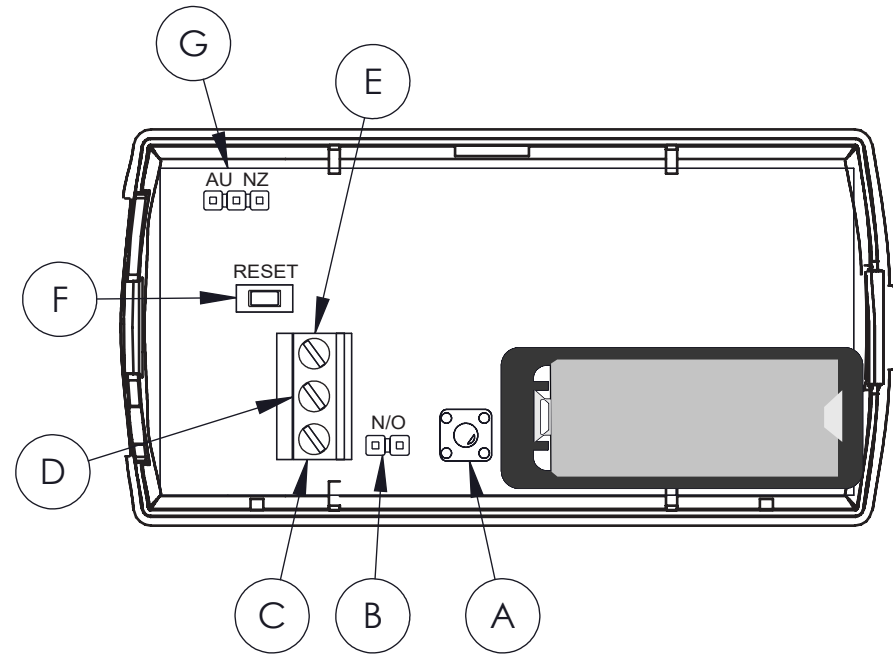
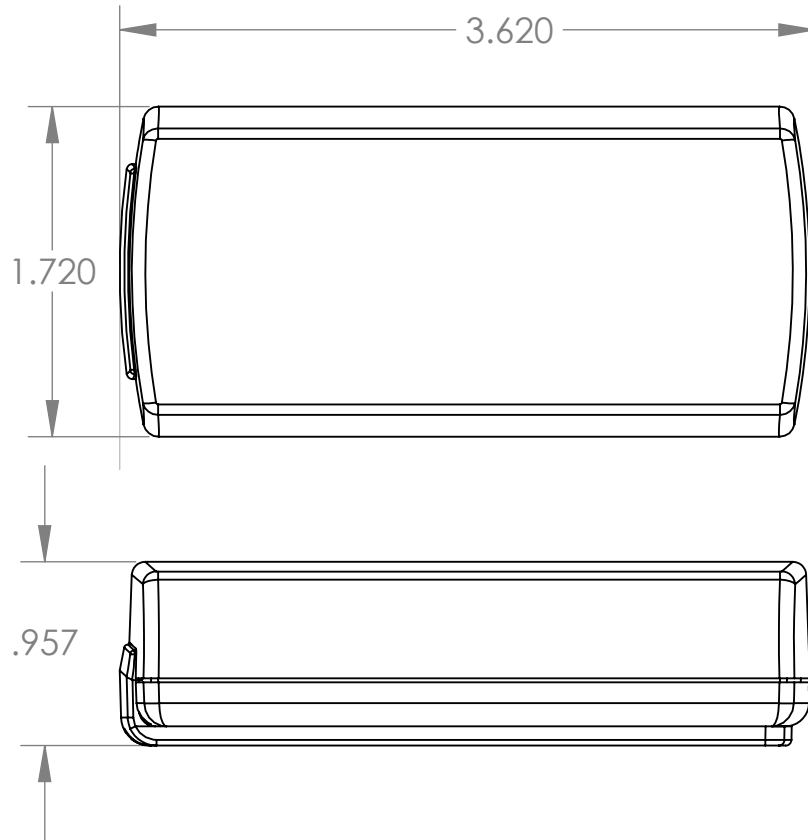


REVISIONS

REV.	DESCRIPTIONS	DATE	ECO
1	Release For Production	11/20/2017	



- A** Tamper button and spring
- B** N/O -N/C selection pins
- C** Input one terminal
- D** Ground terminal
- E** Input two terminal
- F** Reset button
- G** Frequency band selection pins

Copyright 2017 Inovonics Corp.
All rights reserved. Drawings are the property of Inovonics Corp.



WWW.INOVONICS.COM

CAD GENERATED DRAWING,
DO NOT MANUALLY UPDATE
OR SCALE DRAWING.
UNLESS OTHERWISE SPECIFIED

DESCRIPTION:

DEALER DRAWING_EN1212

TOLERANCE: XXX=+/- .005
XX=+/- .010

PART NO: **06922**

REV.
A

AUTHOR: NJ

DRAWN DATE: 11/20/2017

SCALE: N/A

SIZE: **A**

SHEET 1 OF 1