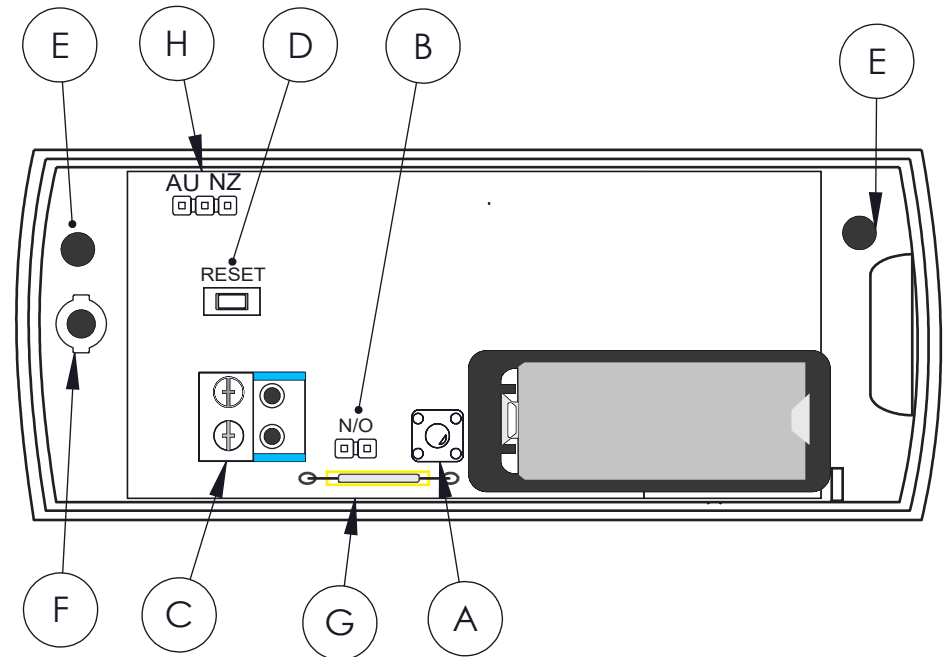
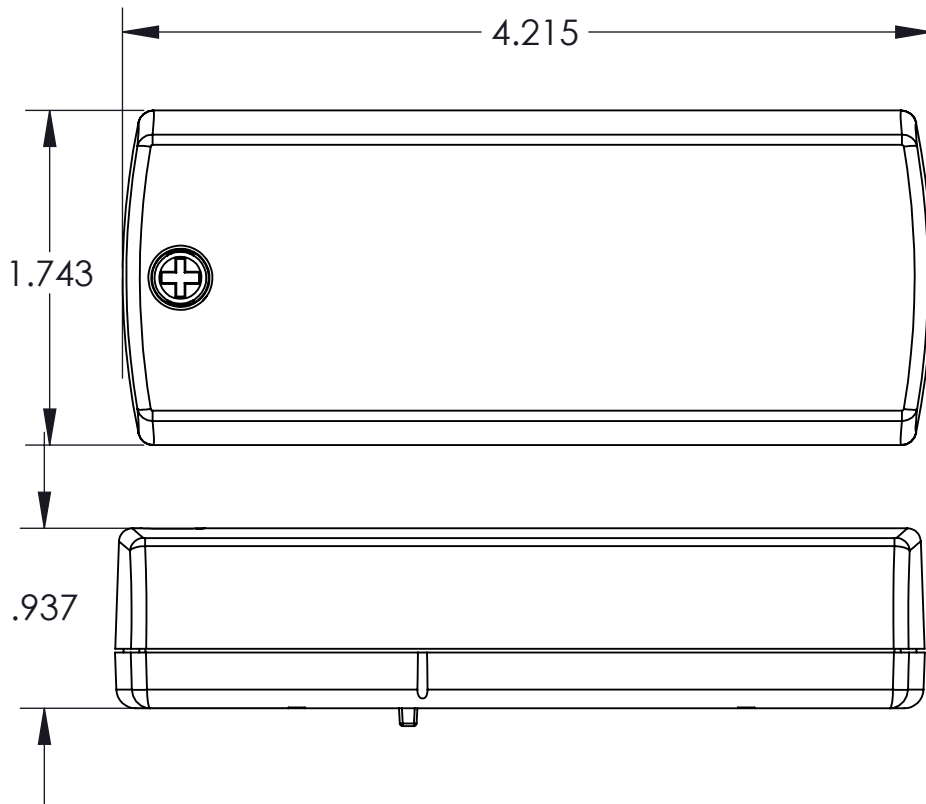



REVISIONS

REV.	DESCRIPTIONS	DATE	ECO
1	Release For Production	11/20/2017	



- A** Housing tamper button
- B** N/O -N/C jumper
- C** Input terminal
- D** Reset button
- E** Wall-mount screw holes
- F** Housing closure screw holes
- G** Reed switch
- H** Frequency band selection

Copyright 2017 Inovonics Corp. All rights reserved. Drawings are the property of Inovonics Corp.		 WWW.INOVONICS.COM
CAD GENERATED DRAWING, DO NOT MANUALLY UPDATE OR SCALE DRAWING. UNLESS OTHERWISE SPECIFIED		
TOLERANCE:	XXX=+/- .005 XX=+/- .010	DESCRIPTION: DEALER DRAWING_EN1215WEOL
AUTHOR:	NJ	PART NO: 06921
DRAWN DATE:	11/20/2017	SCALE: N/A SIZE: A SHEET 1 OF 1