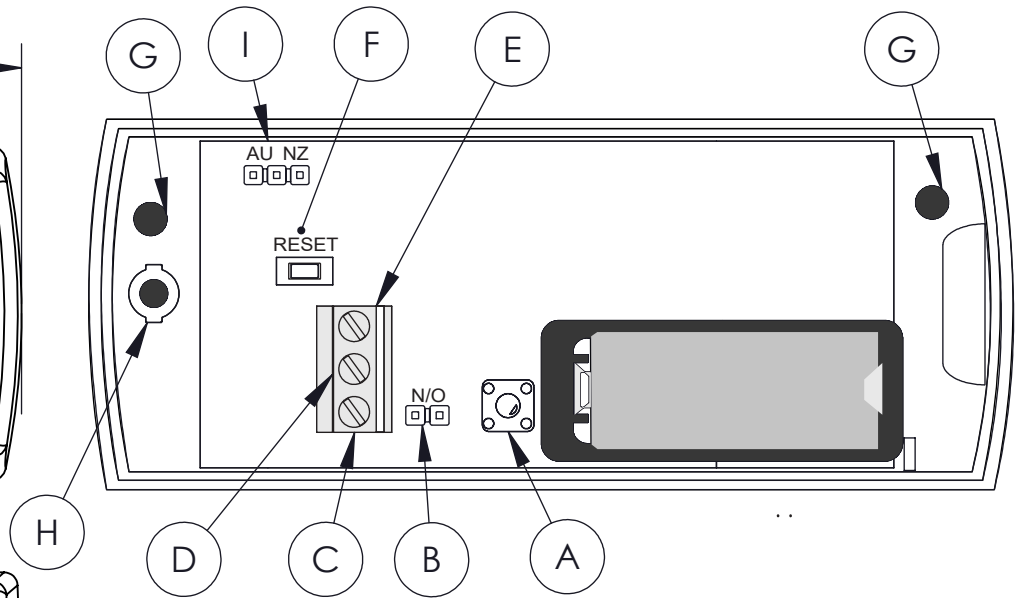
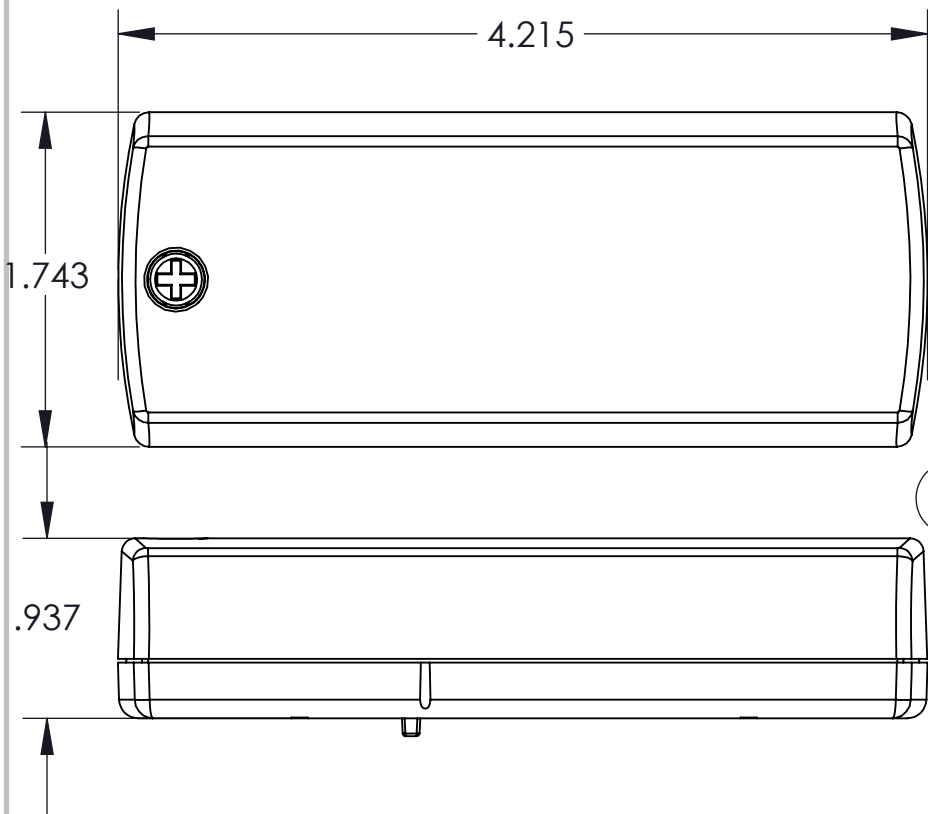


REVISIONS			
REV.	DESCRIPTIONS	DATE	ECO
1	Release For Production	11/20/2017	



- A** Housing tamper button
- B** N/O -N/C selection pins
- C** Input 1 terminal
- D** Ground
- E** Input 2 terminal
- F** Reset button
- G** Wall-mount screw holes
- H** Housing screw hole
- I** Frequency band selection pins

Copyright 2017 Inovonics Corp.
All rights reserved. Drawings are the property of Inovonics Corp.



WWW.INOVONICS.COM

CAD GENERATED DRAWING,
DO NOT MANUALLY UPDATE
OR SCALE DRAWING.
UNLESS OTHERWISE SPECIFIED

DESCRIPTION:
DEALER DRAWING_EN1216

TOLERANCE: XXX=+/- .005
XX=+/- .010

PART NO: **06923** REV. **A**

AUTHOR: NJ

DRAWN DATE: 11/20/2017

SCALE: N/A SIZE: **A** SHEET 1 OF 1