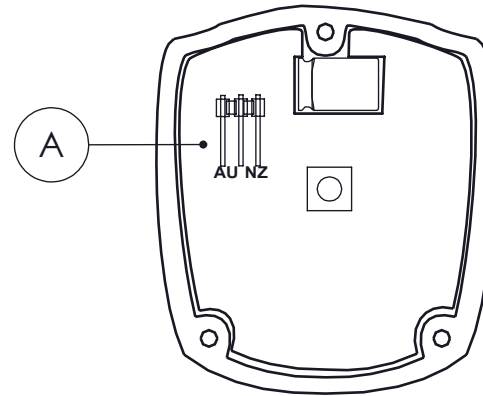
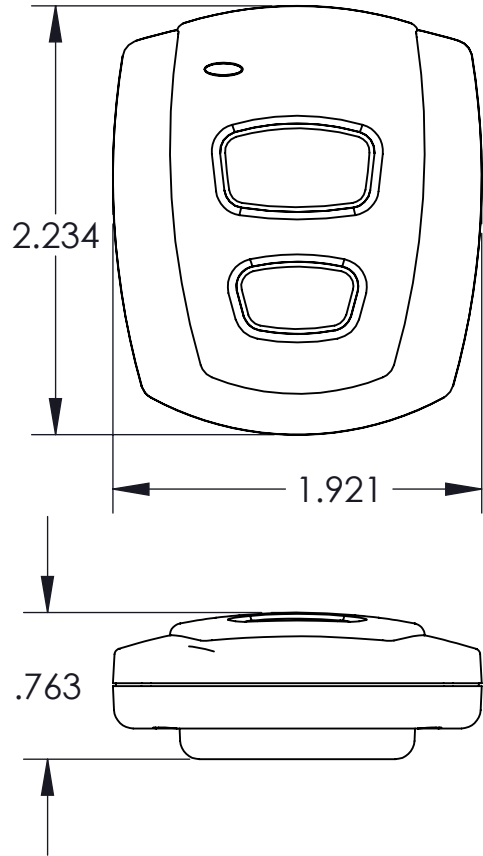



REVISIONS			
REV.	DESCRIPTIONS	DATE	ECO
1	Release For Production	11/20/2017	



A Frequency band selection pins

Copyright 2017 Inovonics Corp. All rights reserved. Drawings are the property of Inovonics Corp.		 WWW.INOVONICS.COM
CAD GENERATED DRAWING, DO NOT MANUALLY UPDATE OR SCALE DRAWING. UNLESS OTHERWISE SPECIFIED		
TOLERANCE:	XXX=+/- .005 XX=+/- .010	DESCRIPTION: DEALER DRAWING-EN1223D
AUTHOR:	NJ	PART NO: 06930
DRAWN DATE:	11/20/2017	SCALE: N/A SIZE: A SHEET 1 OF 1
		REV. A