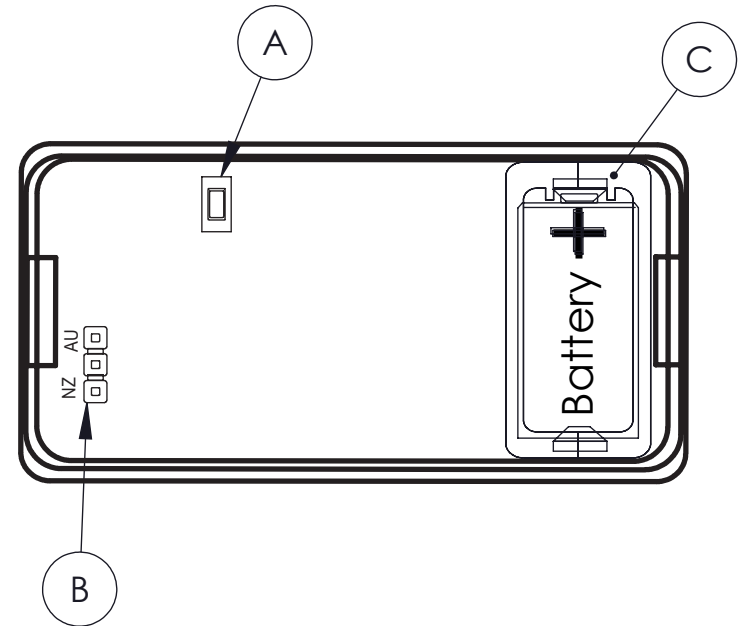
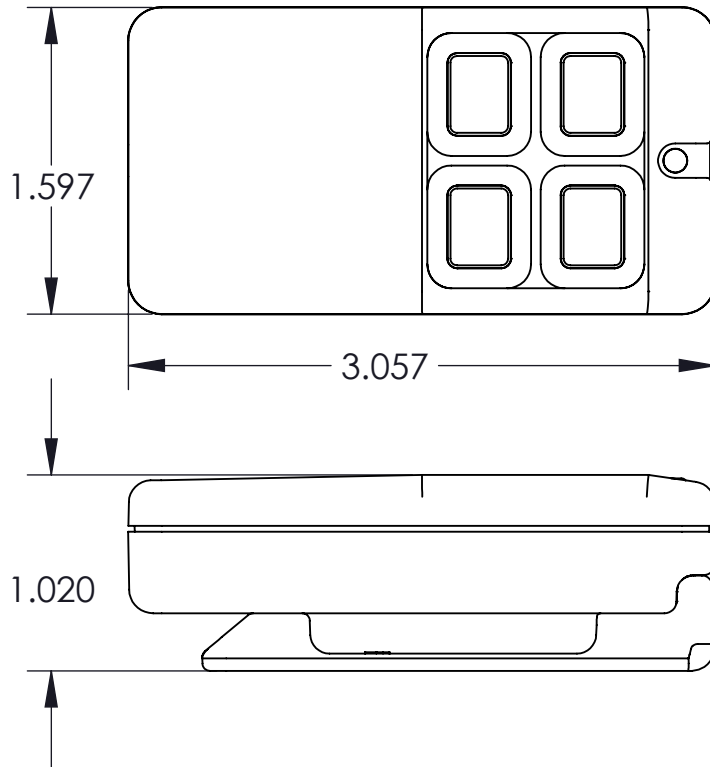


REVISIONS

REV.	DESCRIPTIONS	DATE	ECO
1	Release For Production	11/20/2017	



- A** Reset button
- B** Frequency band selection pins
- C** Battery

Copyright 2017 Inovonics Corp.
All rights reserved. Drawings are the property of Inovonics Corp.



CAD GENERATED DRAWING,
DO NOT MANUALLY UPDATE
OR SCALE DRAWING.
UNLESS OTHERWISE SPECIFIED

DESCRIPTION:
DEALER DRAWING-EN1224

TOLERANCE: XXX=+/- .005
XX=+/- .010

PART NO: **06938** REV. **A**

AUTHOR: NJ

DRAWN DATE: 11/20/2017 SCALE: N/A SIZE: **A** SHEET 1 OF 1