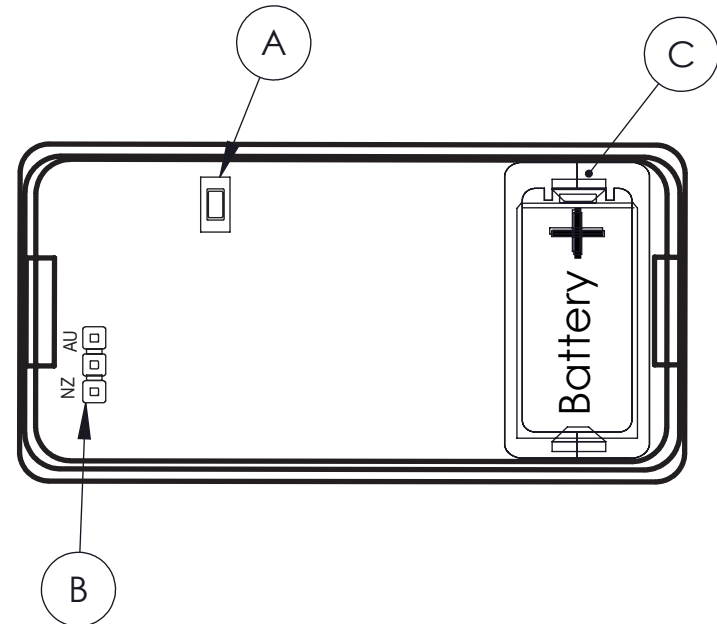
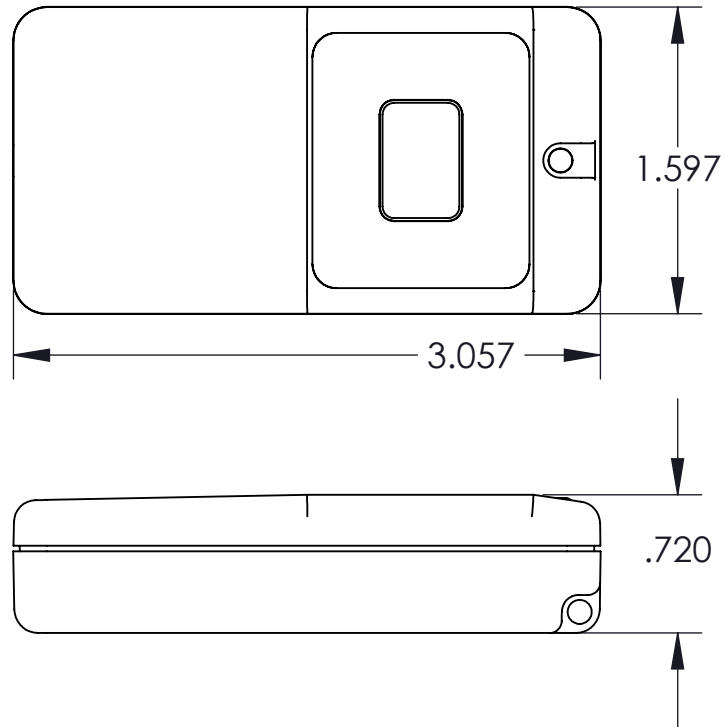



REVISIONS

REV.	DESCRIPTIONS	DATE	ECO
1	Release For Production	11/20/2017	



- A** Reset button
- B** Frequency band selection pins
- C** Battery

Copyright 2017 Inovonics Corp. All rights reserved. Drawings are the property of Inovonics Corp.		 www.inovonics.com	
CAD GENERATED DRAWING, DO NOT MANUALLY UPDATE OR SCALE DRAWING. UNLESS OTHERWISE SPECIFIED		DESCRIPTION: DEALER DRAWING-EN1233S	
TOLERANCE: XXX=+/- .005 XX=+/- .010	AUTHOR: NJ	PART NO: 06933	REV. A
DRAWN DATE: 11/20/2017	SCALE: N/A	SIZE: A	SHEET 1 OF 1