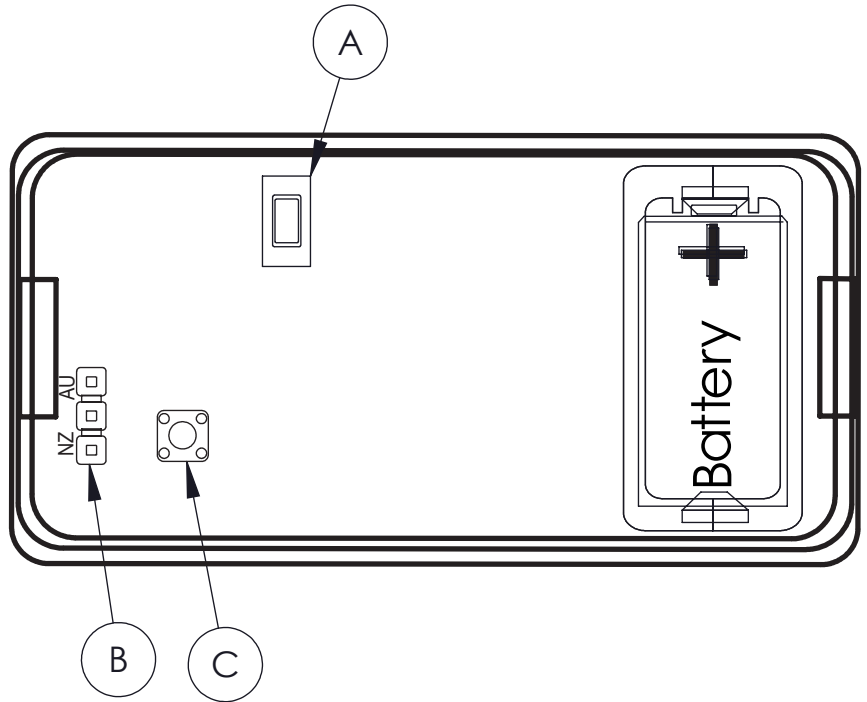
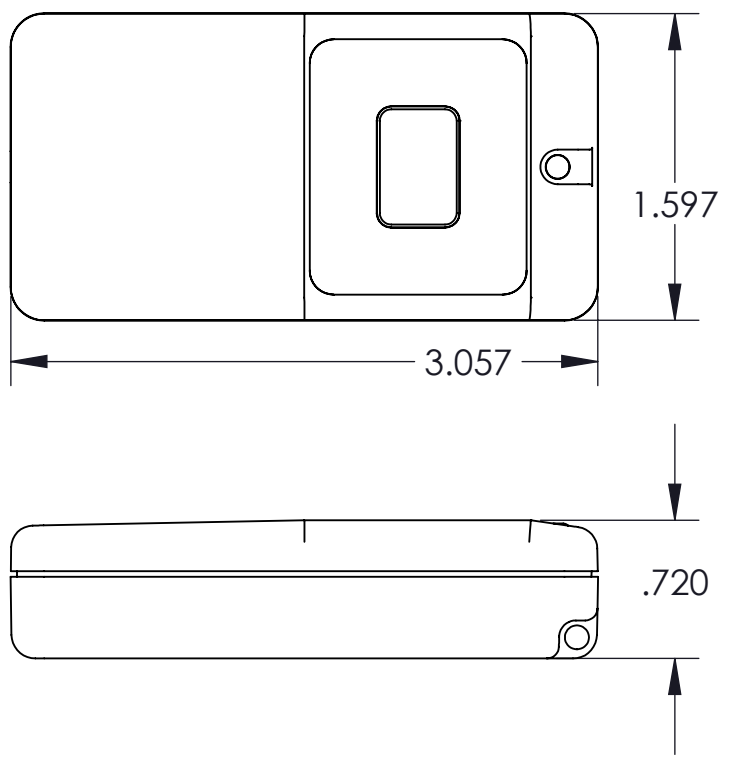



REVISIONS			
REV.	DESCRIPTIONS	DATE	ECO
1	Release For Production	11/20/2017	



A Reset button **B** Frequency band selection pins
C Tamper switch

Copyright 2017 Inovonics Corp. All rights reserved. Drawings are the property of Inovonics Corp.		 WWW.INOVONICS.COM
CAD GENERATED DRAWING, DO NOT MANUALLY UPDATE OR SCALE DRAWING. UNLESS OTHERWISE SPECIFIED		
TOLERANCE:	XXX=+/- .005 XX=+/- .010	DESCRIPTION: DEALER DRAWING-EN1235SF
AUTHOR:	NJ	PART NO: 06937
DRAWN DATE:	11/20/2017	SCALE: N/A SIZE: A SHEET 1 OF 1