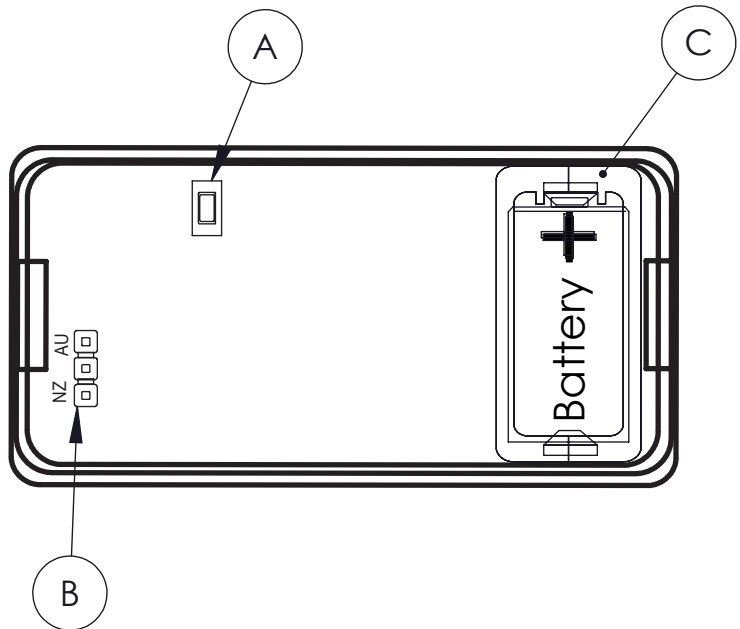
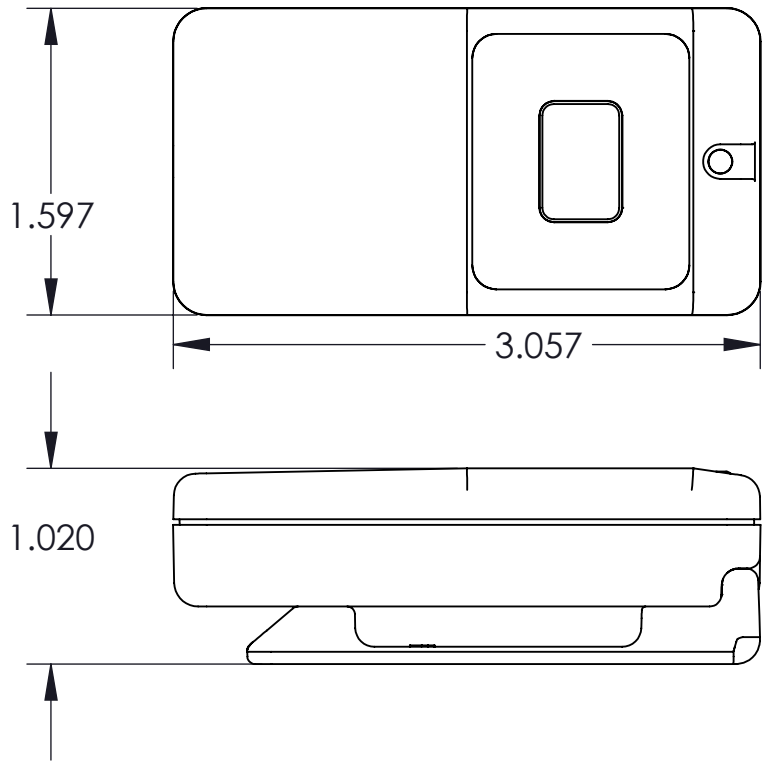



REVISIONS			
REV.	DESCRIPTIONS	DATE	ECO
1	Release For Production	11/20/2017	



**A** Reset button    **B** Frequency band selection pins  
**C** Battery

Copyright 2017 Inovonics Corp. All rights reserved. Drawings are the property of Inovonics Corp.		 WWW.INOVONICS.COM	
CAD GENERATED DRAWING, DO NOT MANUALLY UPDATE OR SCALE DRAWING. UNLESS OTHERWISE SPECIFIED			
TOLERANCE:	XXX=+/- .005 XX=+/- .010	DESCRIPTION: <b>DEALER DRAWING-EN12355</b>	
AUTHOR:	NJ	PART NO: <b>06935</b>	REV. <b>A</b>
DRAWN DATE:	11/20/2017	SCALE: N/A	SIZE: <b>A</b> SHEET 1 OF 1