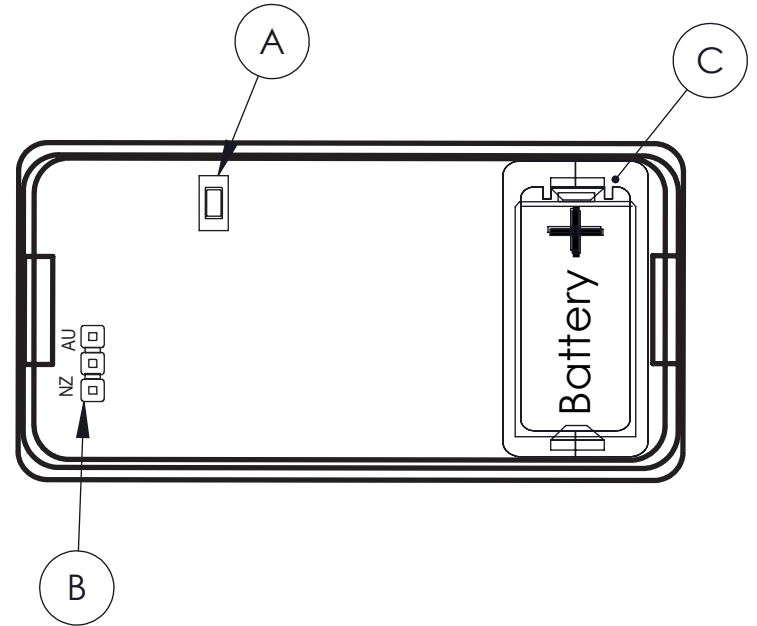
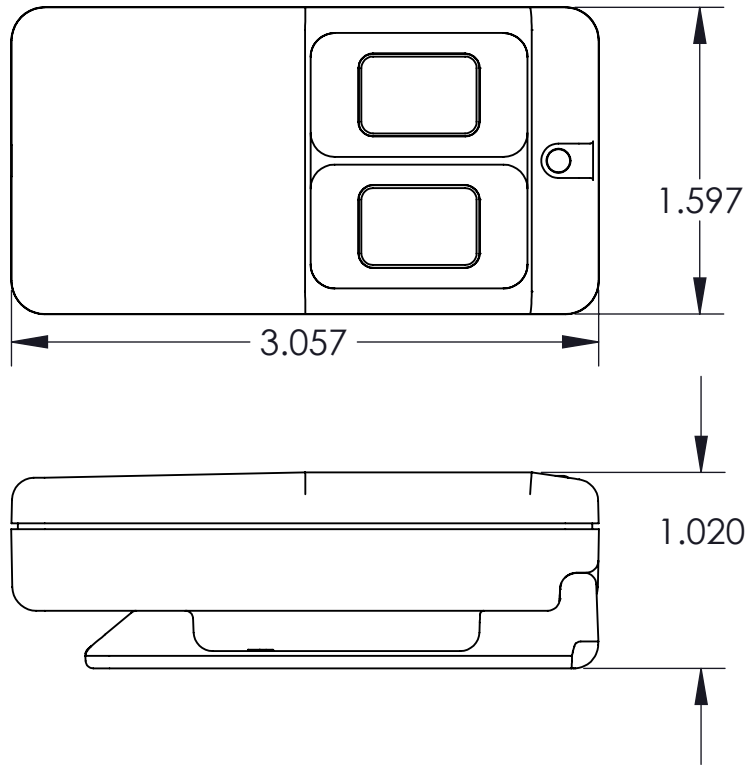


REVISIONS

REV.	DESCRIPTIONS	DATE	ECO
1	Release For Production	11/20/2017	



A Reset button **B** Frequency band selection pins
C Battery

Copyright 2017 Inovonics Corp.
 All rights reserved. Drawings are
 the property of Inovonics Corp.



WWW.INOVONICS.COM

CAD GENERATED DRAWING,
 DO NOT MANUALLY UPDATE
 OR SCALE DRAWING.
 UNLESS OTHERWISE SPECIFIED

DESCRIPTION:

DEALER DRAWING-EN1236D

TOLERANCE: XXX=+/- .005
 XX=+/- .010

PART NO: **06940**

REV.
A

AUTHOR: NJ

DRAWN DATE: 11/20/2017

SCALE: N/A

SIZE: **A**

SHEET 1 OF 1