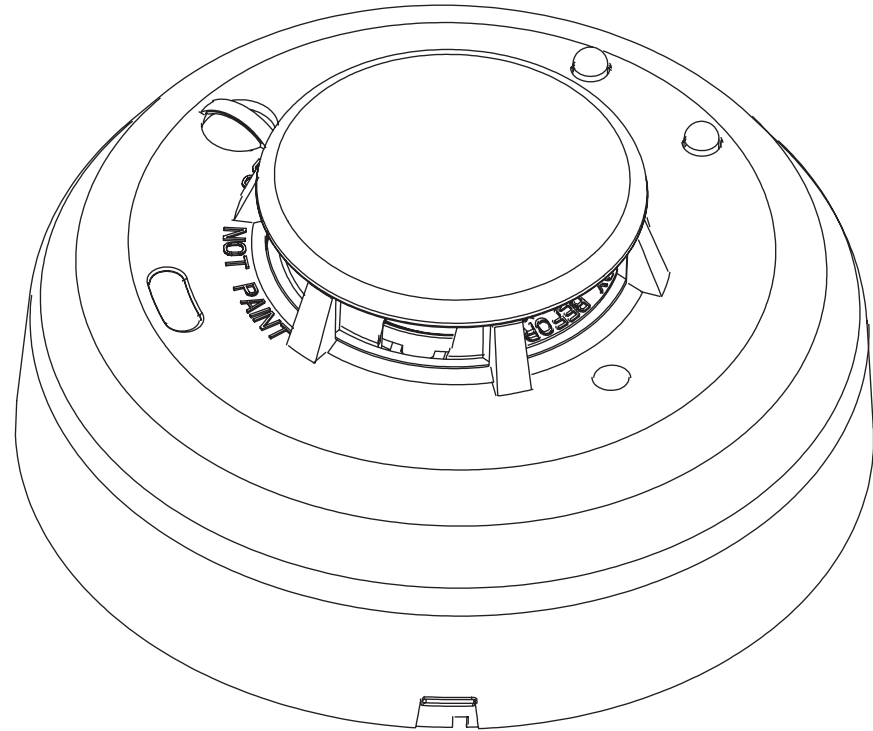
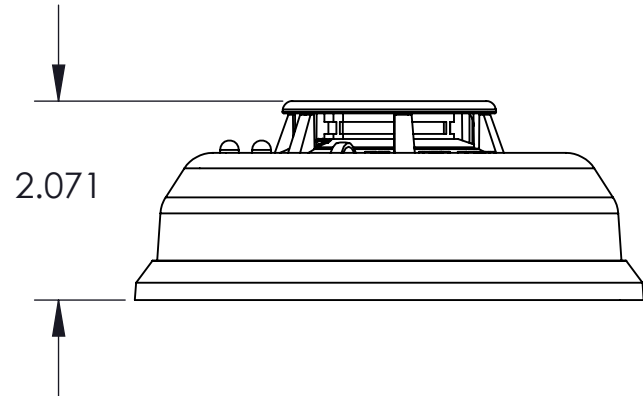
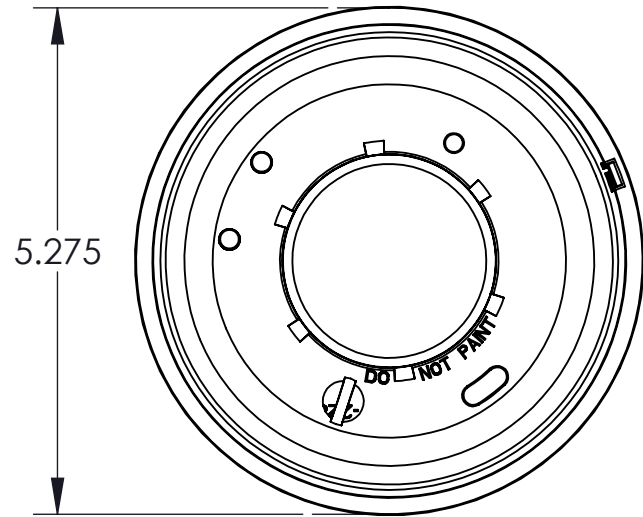


**REVISIONS**

REV.	DESCRIPTIONS	DATE	ECO
1	Release For Production	11/20/2017	



Copyright 2017 Inovonics Corp.  
All rights reserved. Drawings are  
the property of Inovonics Corp.



WWW.INOVONICS.COM

CAD GENERATED DRAWING,  
DO NOT MANUALLY UPDATE  
OR SCALE DRAWING.  
UNLESS OTHERWISE SPECIFIED

DESCRIPTION:

**DEALER DRAWING\_EN1244**

TOLERANCE: XXX=+/- .005  
XX=+/- .010

PART NO: **06925**

REV.  
**A**

AUTHOR: NJ

DRAWN DATE: 11/20/2017

SCALE: N/A

SIZE: **A**

SHEET 1 OF 1