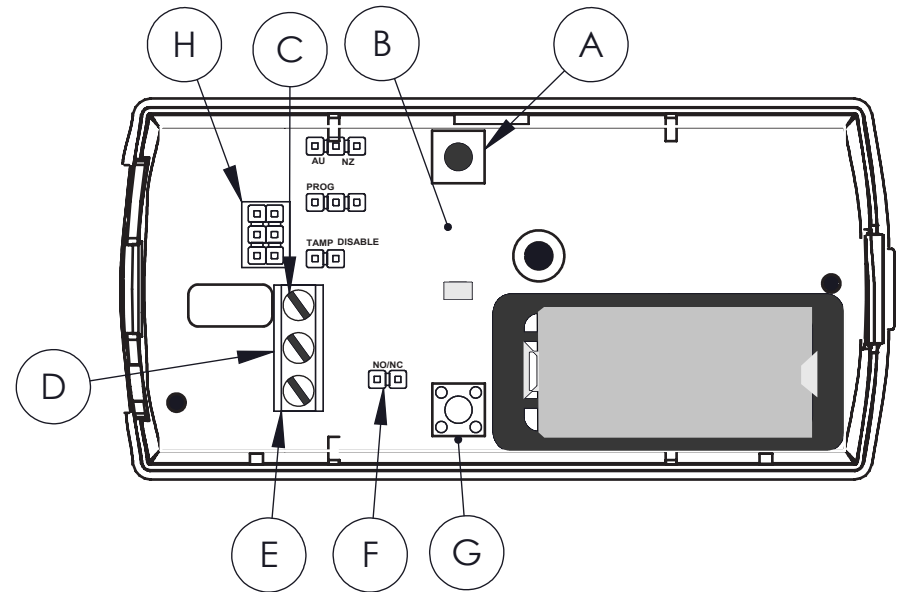
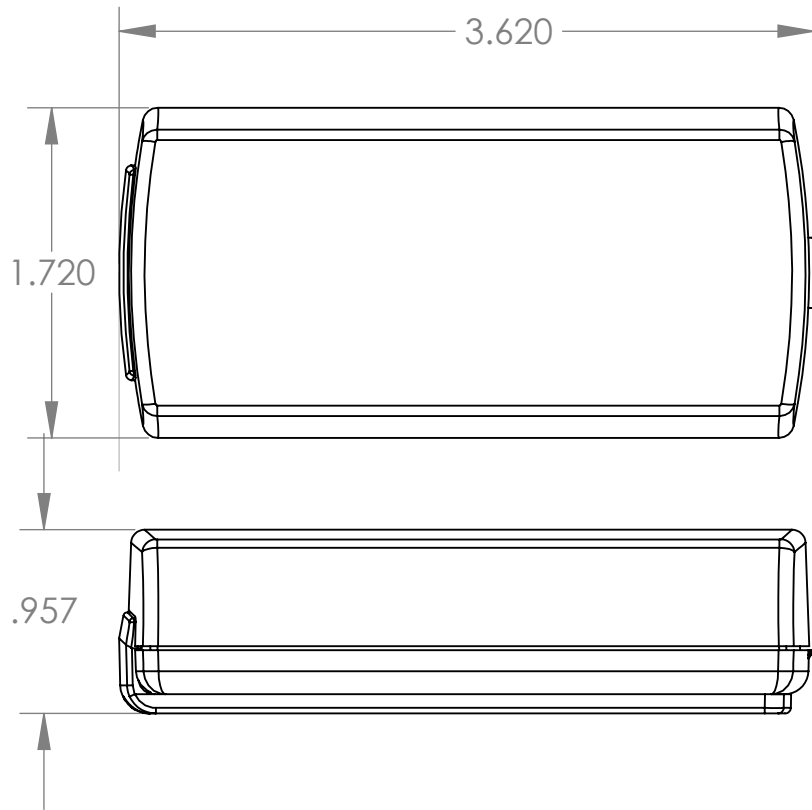


REVISIONS			
REV.	DESCRIPTIONS	DATE	ECO
1	Release For Production	11/20/2017	



- A** Reset button
- B** Tamper disable selection pins
- C** Input two terminal
- D** Ground Terminal
- E** Input one terminal
- F** N/O-N/C selection pins
- G** Housing Tamper button
- H** External connector

Copyright 2017 Inovonics Corp.  
All rights reserved. Drawings are the property of Inovonics Corp.



WWW.INOVONICS.COM

CAD GENERATED DRAWING,  
DO NOT MANUALLY UPDATE  
OR SCALE DRAWING.  
UNLESS OTHERWISE SPECIFIED

DESCRIPTION:  
**DEALER DRAWING\_EN1252**

TOLERANCE: XXX=+/- .005  
XX=+/- .010

PART NO: **06924** REV. **A**

AUTHOR: NJ

DRAWN DATE: 11/20/2017 SCALE: N/A SIZE: **A** SHEET 1 OF 1