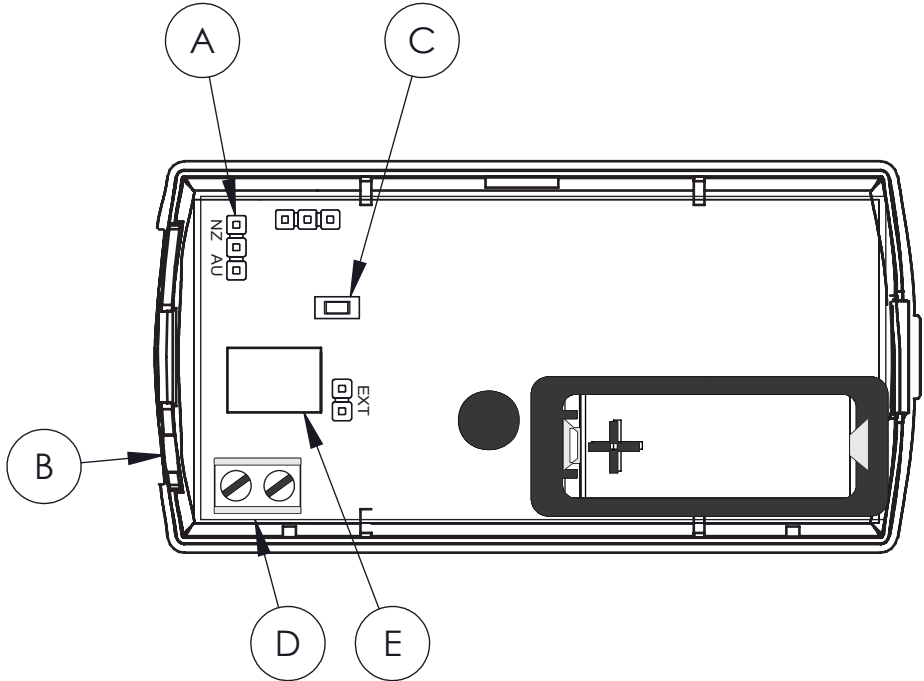
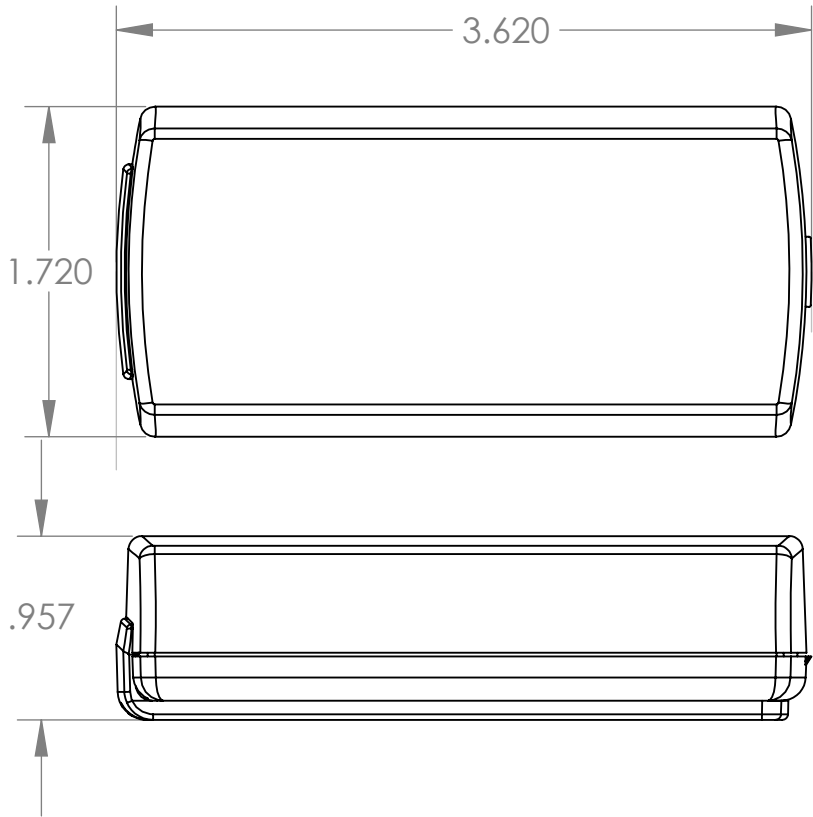


REVISIONS			
REV.	DESCRIPTIONS	DATE	ECO
1	Release For Production	11/20/2017	



- A** Frequency band selection pins
- B** Top wiring cutout
- C** Reset button
- D** Probe terminal block
- E** Back wiring cutout

Copyright 2017 Inovonics Corp.
All rights reserved. Drawings are the property of Inovonics Corp.



CAD GENERATED DRAWING,
DO NOT MANUALLY UPDATE
OR SCALE DRAWING.
UNLESS OTHERWISE SPECIFIED

DESCRIPTION:
DEALER DRAWING_EN1751

TOLERANCE: XXX=+/- .005
XX=+/- .010

PART NO: **06928** REV. **A**

AUTHOR: NJ
DRAWN DATE: 11/20/2017

SCALE: N/A SIZE: **A** SHEET 1 OF 1