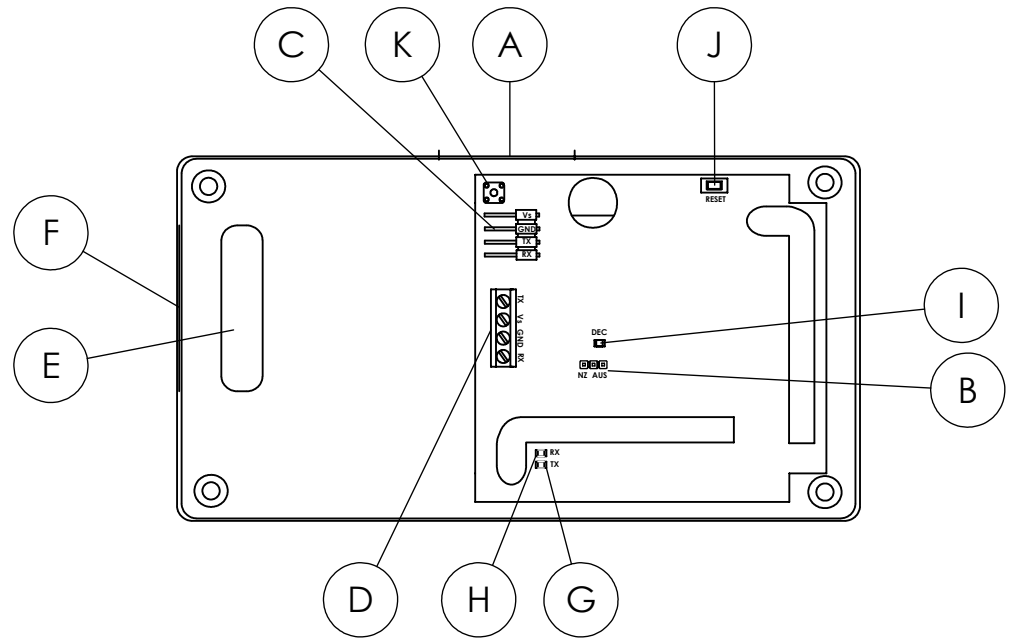
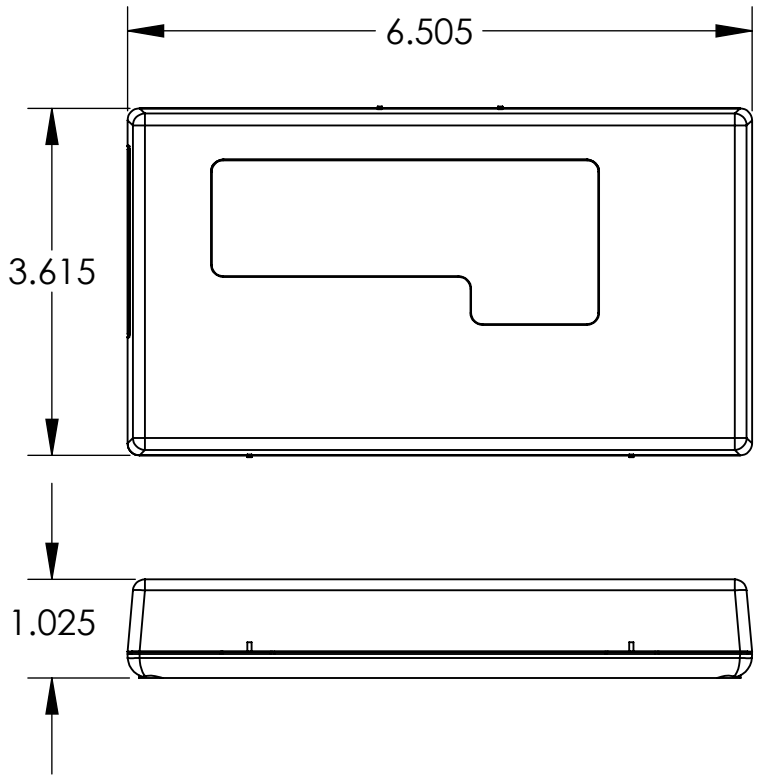



REVISIONS			
REV.	DESCRIPTIONS	DATE	ECO
A	RELEASE FOR PRODUCTION	11/20/2017	OMNIFY



- A** Housing release tab
- B** Frequency band selection pins
- C** Serial data terminal
- D** Serial data port
- E** Bottom cabling knockout
- F** Side cabling knockout
- G** Transmit LED
- H** Receive LED
- I** Decode LED
- J** Reset button
- K** Tamper button spring

Copyright 2017 Inovonics Corp. All rights reserved. Drawings are the property of Inovonics Corp.		 WWW.INOVONICS.COM
CAD GENERATED DRAWING, DO NOT MANUALLY UPDATE OR SCALE DRAWING. UNLESS OTHERWISE SPECIFIED		
TOLERANCE:	XXX=+/- .005 XX=+/- .010	DESCRIPTION: DEALER DRAWING- EN4200
AUTHOR:	NJ	PART NO: 06875
DRAWN DATE:	11/20/2017	SCALE: N/A SIZE: A SHEET 1 OF 1
		REV. A