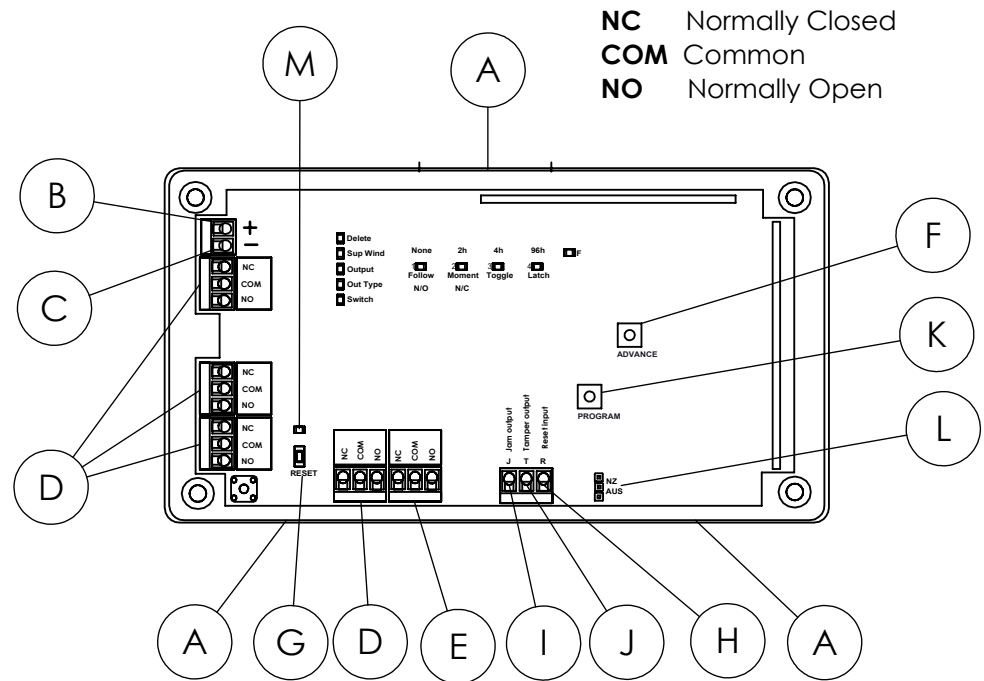
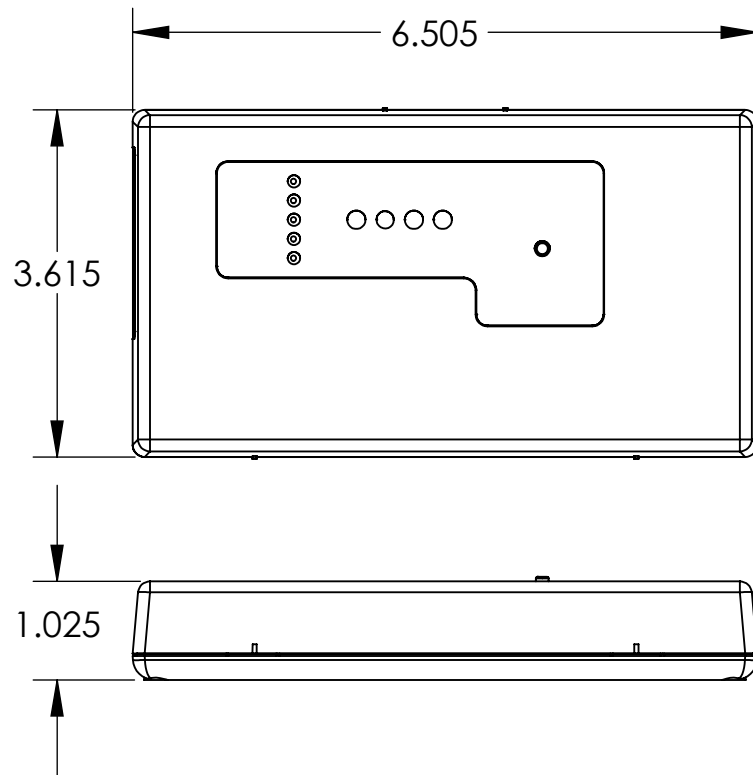


REVISIONS

REV.	DESCRIPTIONS	DATE	ECO
A	RELEASE FOR PRODUCTION	11/20/2017	OMNIFY



- | | | |
|-------------------------------|-------------------------|--|
| A Housing release tabs | F Advance button | K Program button |
| B Power (11-14 VDC) | G Reset button | L Frequency band selection pins |
| C GND connection | H Reset input | M Decode LED |
| D Output terminals | I Jam output | |
| E Fault output | J Tamper output | |

Copyright 2017 Inovonics Corp.
All rights reserved. Drawings are the property of Inovonics Corp.



WWW.INOVONICS.COM

CAD GENERATED DRAWING,
DO NOT MANUALLY UPDATE
OR SCALE DRAWING.
UNLESS OTHERWISE SPECIFIED

DESCRIPTION:

DEALER DRAWING-EN4204R

TOLERANCE: XXX=+/- .005
XX=+/- .010

PART NO: **06846**

REV.
A

AUTHOR: SL

DRAWN DATE: 11/20/2017

SCALE: N/A

SIZE: **A**

SHEET 1 OF 1