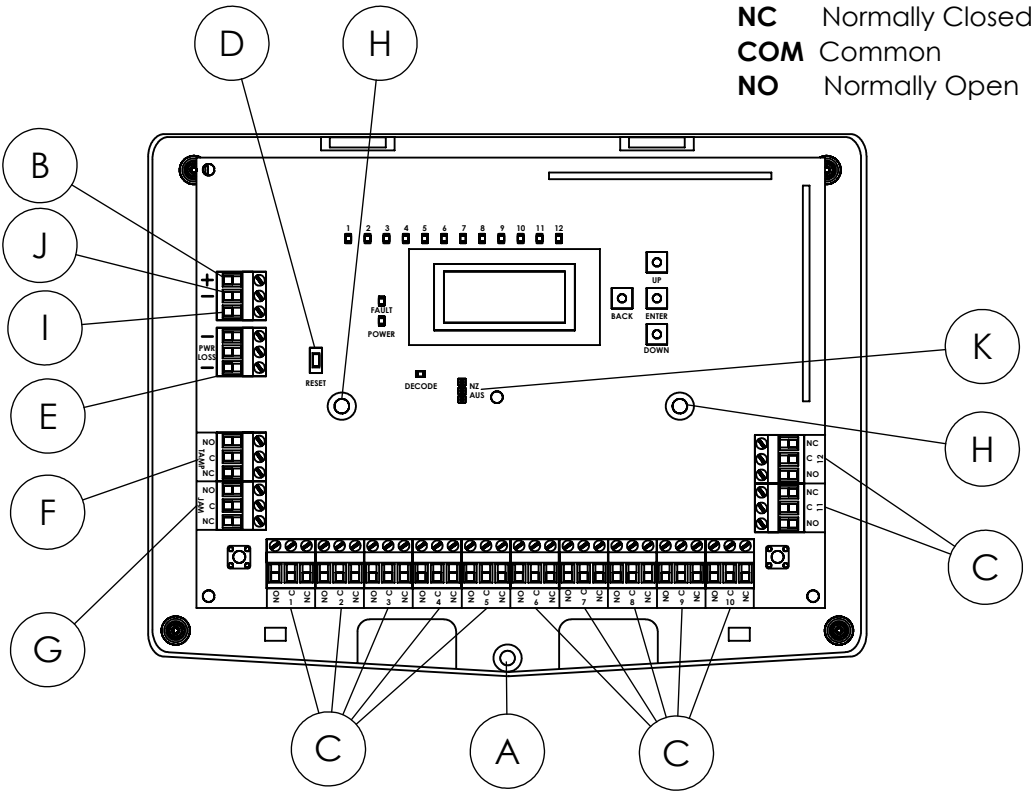
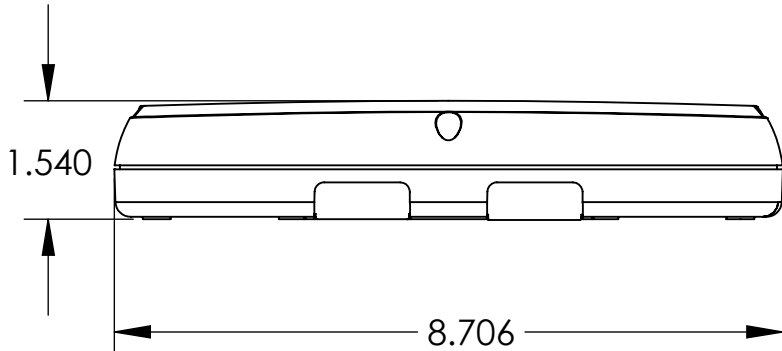
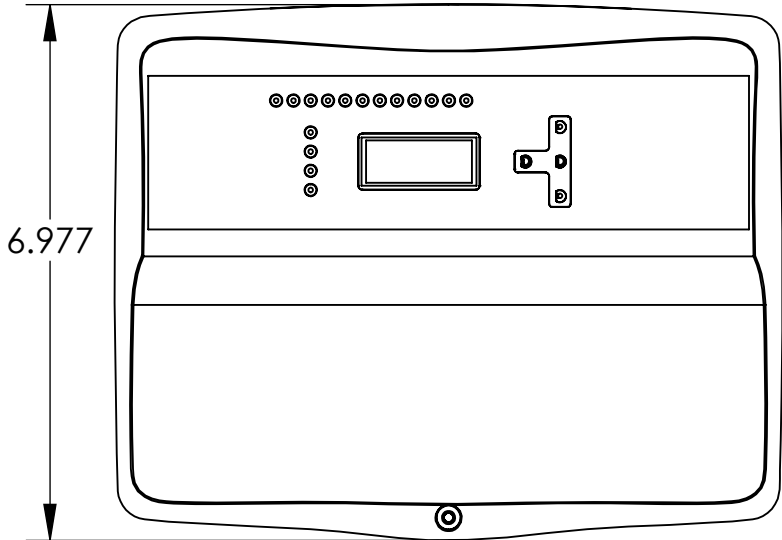


REVISIONS			
REV.	DESCRIPTIONS	DATE	ECO
A	RELEASE FOR PRODUCTION	11/20/2017	OMNIFY



**NC** Normally Closed  
**COM** Common  
**NO** Normally Open

- A** Housing release screw
- B** Power (11-14 VDC)
- C** Output terminals
- D** Reset button
- E** Power lost output
- F** Tamper output
- G** Jam output
- H** Mounting holes
- I** Reset input
- J** Ground connection
- K** Frequency band selection pins

Copyright 2017 Inovonics Corp.  
 All rights reserved. Drawings are the property of Inovonics Corp.



CAD GENERATED DRAWING,  
 DO NOT MANUALLY UPDATE  
 OR SCALE DRAWING.  
 UNLESS OTHERWISE SPECIFIED

TOLERANCE:	XXX=+/- .005 XX=+/- .010
AUTHOR:	NJ
DRAWN DATE:	11/20/2017

DESCRIPTION: <b>DEALER DRAWING-EN4232MR</b>	
PART NO: <b>06848</b>	REV. <b>A</b>
SCALE: N/A	SHEET 1 OF 1