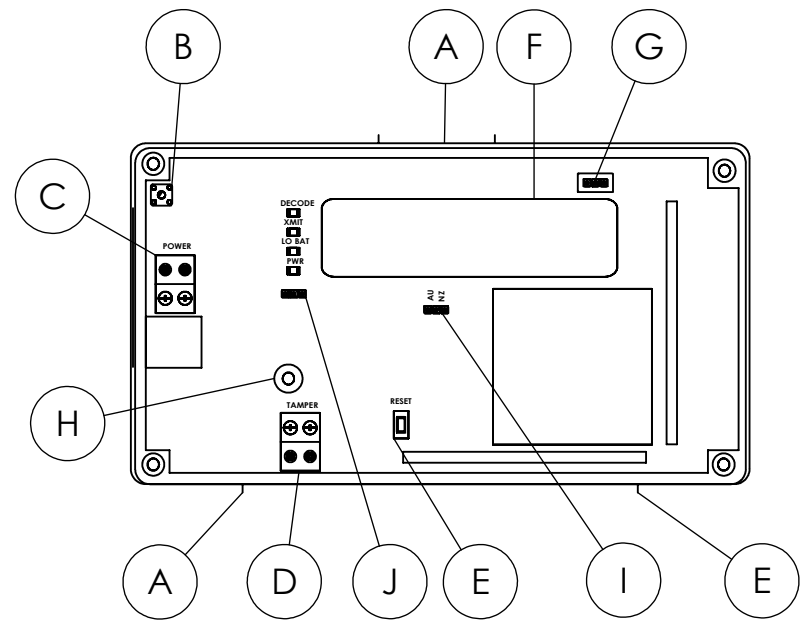
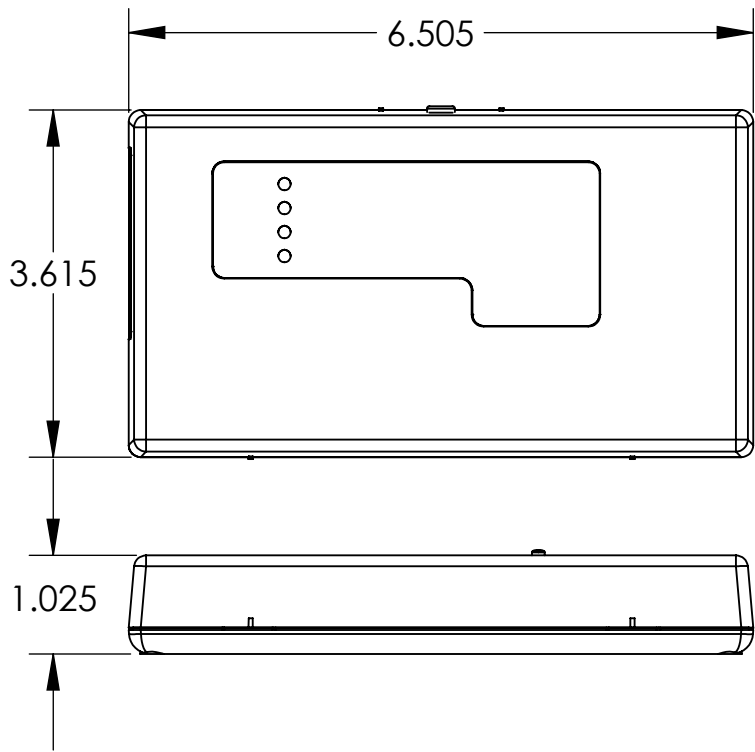



REVISIONS			
REV.	DESCRIPTIONS	DATE	ECO
A	RELEASE FOR PRODUCTION	11/20/2017	OMNIFY



- A Housing release tabs
- B Tamper button spring
- C Power
- D Tamper input
- E Reset button
- F Backup battery
- G Battery connector
- H Tamper mounting hole
- I Frequency band selection pins
- J Messaging mode selection pins

Copyright 2017 Inovonics Corp. All rights reserved. Drawings are the property of Inovonics Corp.		 WWW.INOVONICS.COM	
CAD GENERATED DRAWING, DO NOT MANUALLY UPDATE OR SCALE DRAWING. UNLESS OTHERWISE SPECIFIED		DESCRIPTION: <b>DEALER DRAWING_EN5040-T</b>	
TOLERANCE:	XXX=+/- .005 XX=+/- .010	PART NO: <b>06881</b>	REV. <b>A</b>
AUTHOR:	NJ	SCALE: N/A	SIZE: <b>A</b>
DRAWN DATE:	11/20/2017	SHEET 1 OF 1	