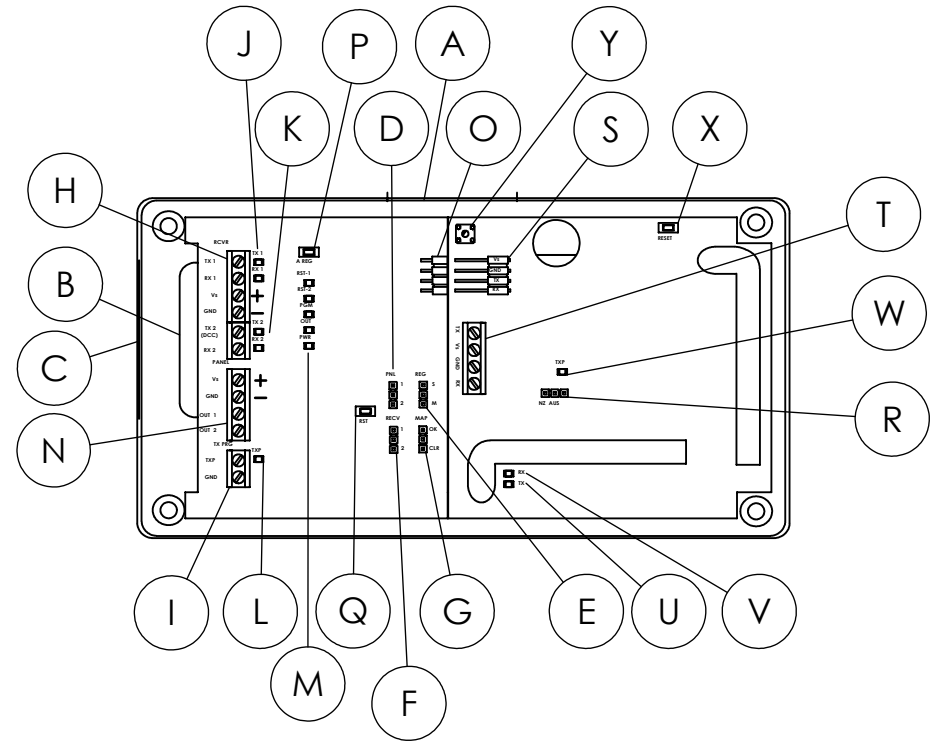



REVISIONS			
REV.	DESCRIPTIONS	DATE	ECO
A	RELEASE FOR PRODUCTION	11/20/2017	OMNIFY



- | | | | |
|---|---|---|--|
| A Housing release tab | G Map selection pins | K Receiver 2 transmit/receive LEDs | P Automatic registration button |
| B Bottom cabling knockout | H Translator data terminal block | L Transmitter programming LED | Q Reset button |
| C Side cabling knockout | I Transmitter programming terminal block | M Operation LEDs | R Frequency band selection pins |
| D Panel interface selection pins | J Receiver 1 transmit/receive LEDs | N Panel interface terminal block | S Serial data port |
| E Registration selection pins | F Receiver selection pins | O Translator serial data port | T Serial data terminal |
| V Receive LED | | | U Transmit LED |
| W Decode LED | | | |
| X Reset button | | | |
| Y Tamper button spring | | | |

Copyright 2017 Inovonics Corp. All rights reserved. Drawings are the property of Inovonics Corp.		 WWW.INOVONICS.COM
CAD GENERATED DRAWING, DO NOT MANUALLY UPDATE OR SCALE DRAWING. UNLESS OTHERWISE SPECIFIED		
TOLERANCE:	XXX=+/- .005 XX=+/- .010	DESCRIPTION: DEALER DRAWING-EN7280
AUTHOR:	NJ	PART NO: 06876
DRAWN DATE:	11/20/2017	SCALE: N/A SIZE: A SHEET 1 OF 1