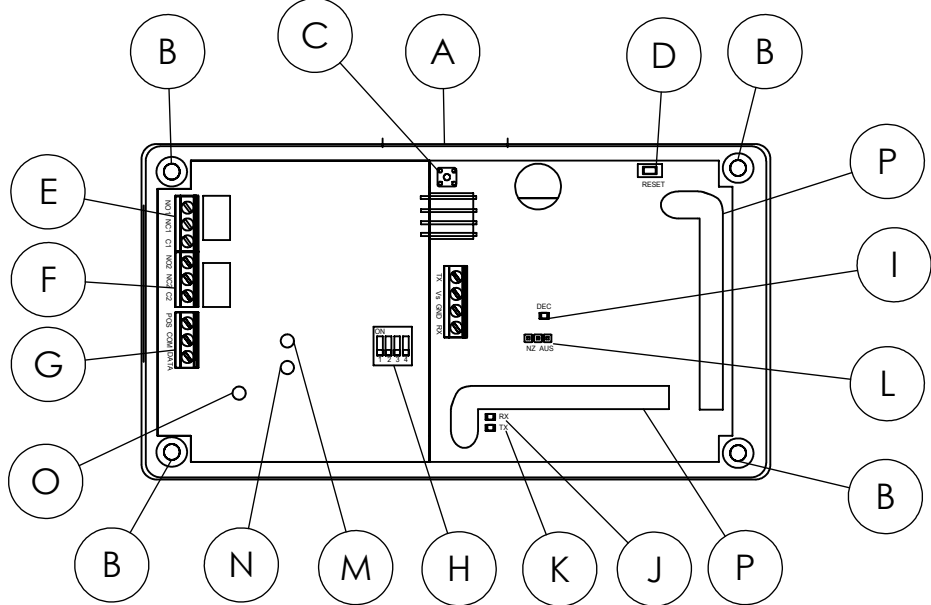
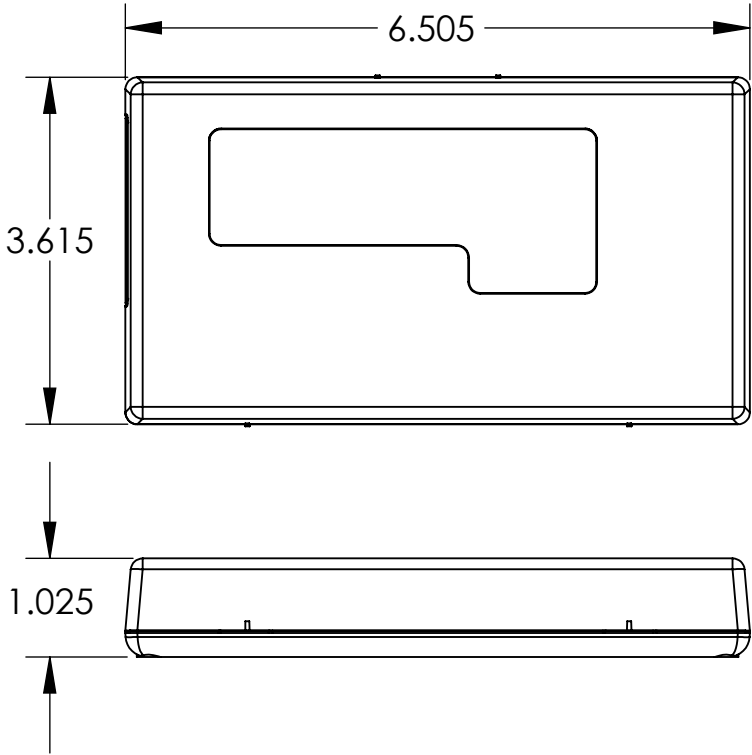



REVISIONS			
REV.	DESCRIPTIONS	DATE	ECO
A	RELEASE FOR PRODUCTION	11/20/2017	OMNIFY



- A** Housing release tab
- B** Mounting holes
- C** Housing tamper switch
- D** Reset button
- E** Relay 1 terminal block
- F** Relay 2 terminal block
- G** Power/data terminal block
- H** EN7286NX dipswitches
- I** Receiver Decode LED
- J** Receiver Receive LED
- K** Receiver Transmit LED
- L** Frequency band selection pins
- M** Interface Receive LED
- N** Interface Decode LED
- O** Interface Serial Receive LED
- P** Antennas

Copyright 2017 Inovonics Corp. All rights reserved. Drawings are the property of Inovonics Corp.		 WWW.INOVONICS.COM
CAD GENERATED DRAWING, DO NOT MANUALLY UPDATE OR SCALE DRAWING. UNLESS OTHERWISE SPECIFIED		
TOLERANCE:	XXX=+/- .005 XX=+/- .010	DESCRIPTION: DEALER DRAWING-EN7286NX
AUTHOR:	NJ	PART NO: 06878
DRAWN DATE:	11/20/2017	SCALE: N/A SIZE: A SHEET 1 OF 1
		REV. A