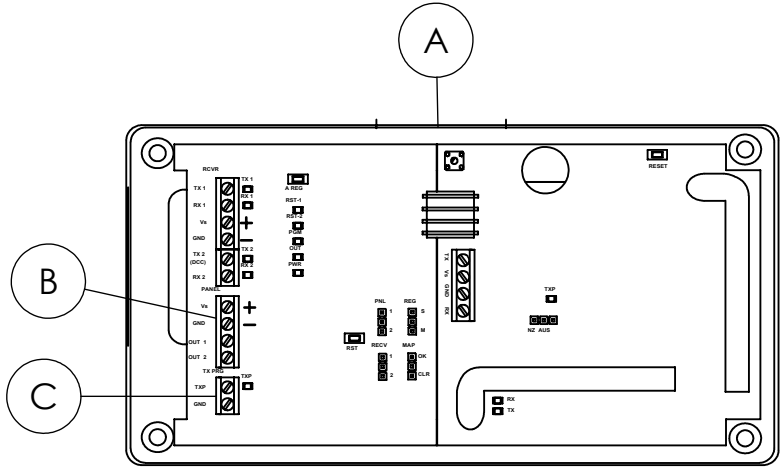
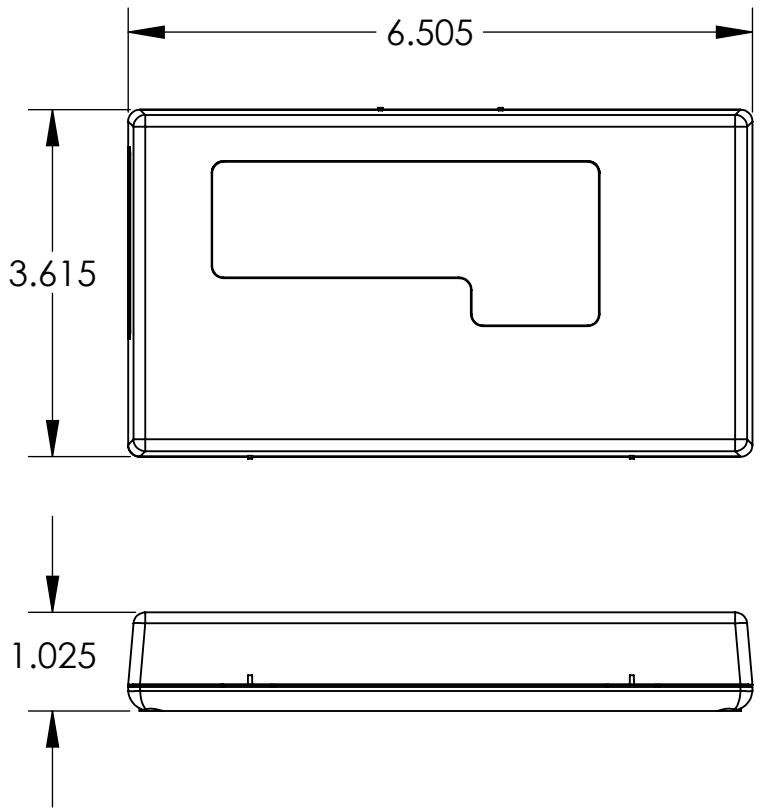



REVISIONS			
REV.	DESCRIPTIONS	DATE	ECO
A	RELEASE FOR PRODUCTION	11/20/2017	OMNIFY



- A Housing release tab
- B Panel data terminal block
- C Transmitter program terminal block

Copyright 2017 Inovonics Corp. All rights reserved. Drawings are the property of Inovonics Corp.		 WWW.INOVONICS.COM
CAD GENERATED DRAWING, DO NOT MANUALLY UPDATE OR SCALE DRAWING. UNLESS OTHERWISE SPECIFIED		
TOLERANCE:	XXX=+/- .005 XX=+/- .010	DESCRIPTION: DEALER DRAWING-EN7472DMP
AUTHOR:	NJ	PART NO: 06879
DRAWN DATE:	11/20/2017	SCALE: N/A SIZE: A SHEET 1 OF 1
		REV. A