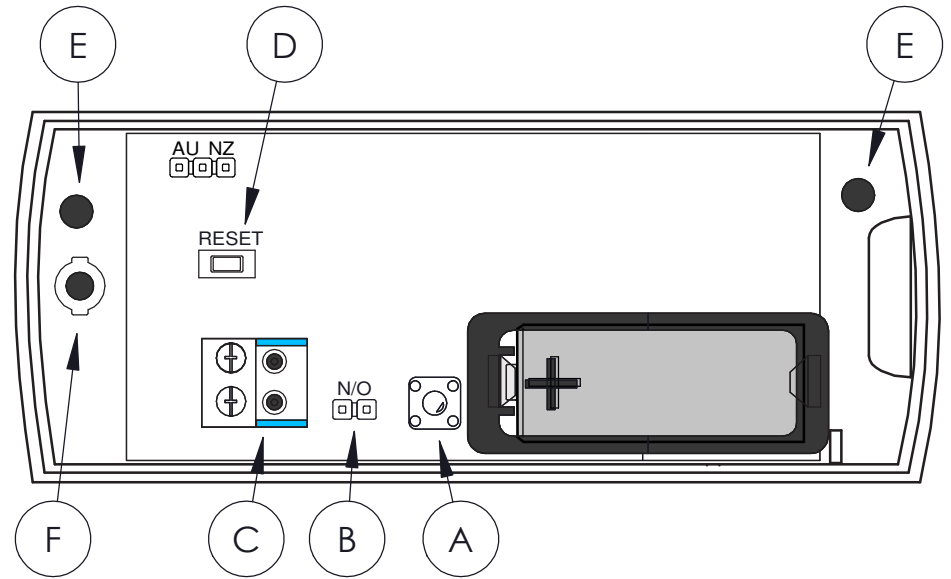
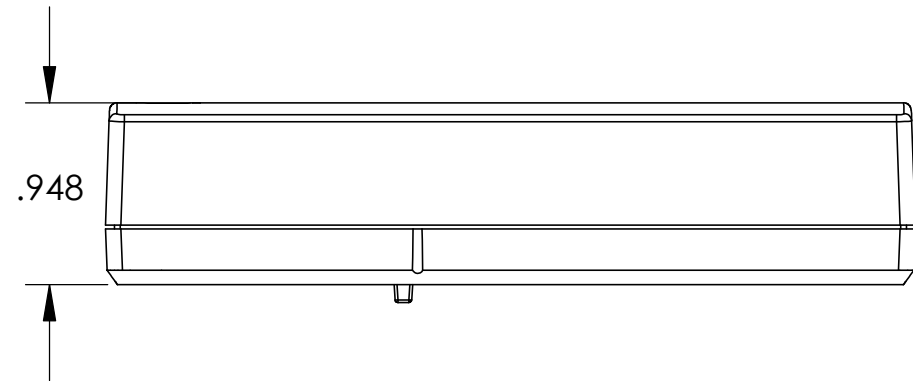
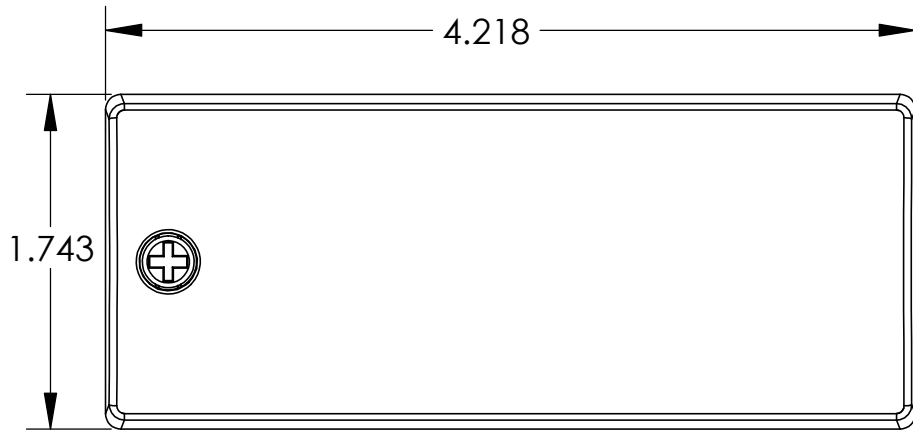



REVISIONS				
PART NO	REV	DESCRIPTION	DATE	ECO
354-00002-01	A	RELEASE FOR PRODUCTION	4/29/2019	OMNIFY



- A** Housing tamper button
- B** N/O selection pins
- C** Input terminal
- D** Reset button
- E** Wall-mount screw holes
- F** Housing screw hole

Copyright 2019 Inovonics Corp. All rights reserved. Drawings are the property of Inovonics Corp.		 WWW.INOVONICS.COM	
CAD GENERATED DRAWING, DO NOT MANUALLY UPDATE OR SCALE DRAWING. UNLESS OTHERWISE SPECIFIED			
TOLERANCE:	XXX=+/- .005 XX=+/- .010	DESCRIPTION: DOC, DEALER DRAWING, EH1115EOL	
AUTHOR:	SL	PART NO: 354-00002-01	REV. A
DRAWN DATE:	4/29/2019	SCALE: N/A	SIZE: A SHEET 1 OF 1