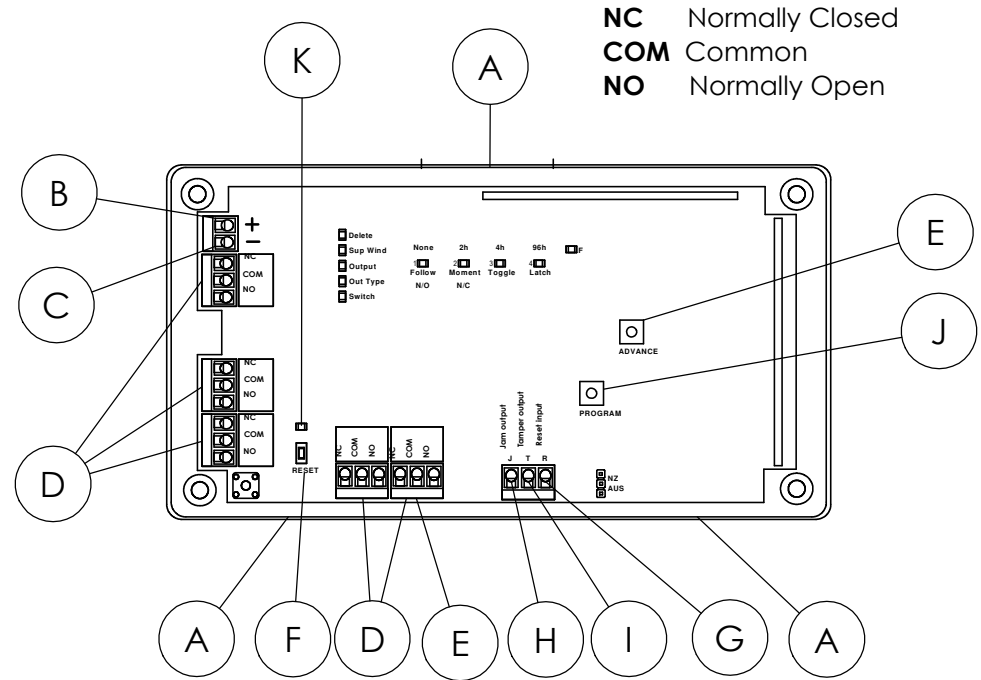
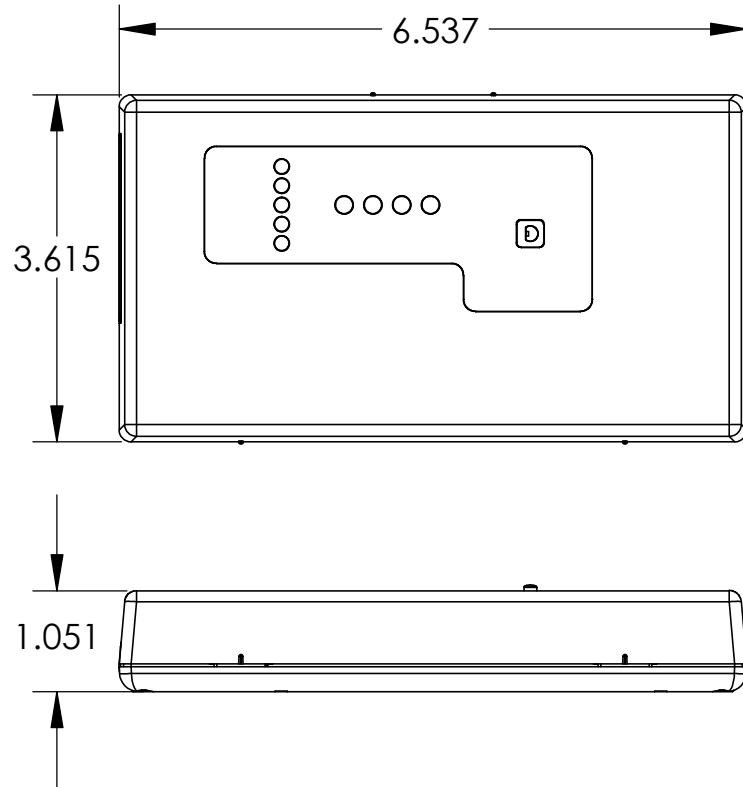


REVISIONS

PART NO	REV	DESCRIPTION	DATE	ECO
354-00001-01	A	RELEASE FOR PRODUCTION	4/29/2019	OMNIFY



NC Normally Closed
COM Common
NO Normally Open

- | | | |
|---|---|----------------------------|
| <p>A Housing release tabs</p> <p>B Power (11-14 VDC)</p> <p>C GND connection</p> <p>D Output terminals</p> <p>E Advance Button</p> | <p>F Reset button</p> <p>G Reset Input</p> <p>H Not used</p> <p>I Not used</p> <p>J Program button</p> | <p>K Decode LED</p> |
|---|---|----------------------------|

Copyright 2019 Inovonics Corp. All rights reserved. Drawings are the property of Inovonics Corp.		 WWW.INOVONICS.COM	
CAD GENERATED DRAWING, DO NOT MANUALLY UPDATE OR SCALE DRAWING. UNLESS OTHERWISE SPECIFIED		DESCRIPTION: DOC, DEALER DRAWING, EH4104R	
TOLERANCE: XXX=+/- .005 XX=+/- .010	PART NO: 354-00001-01		REV. A
AUTHOR: SL	DRAWN DATE: 4/29/2019	SCALE: N/A	SIZE: A
SHEET 1 OF 1		SHEET 1 OF 1	